

Caadre

Design: Philippe Stark



Description

Wall mirror with frame made of four separate elements in 1/4" back-silvered curved glass. Also available with semi-reflective glass titanium finish or in back-silvered bronze glass. Floor versions and a version with an integrated TV are also available. LED lighting kit with a dimmer switch and temperature regulation is available on demand. Made in Italy.

Finishes and materials

Curved Frame: Back silvered transparent glass, extra light glass, extra light RAL back-lacquered glass (not silvered), titanium glass (back lacquered semi-reflecting glass, smoked glass effect) or bronze glass.

Mirror: Transparent, extra light, smoked or bronze back silvered glass.



(For more specifications, please refer to "Finishes & Materials")

Caadre

Dimensions

A: 30"W x 61"H x 5"1/8D

B: 41"3/8W x 61"H x 5"1/8D

C: 55"1/8W x 76"3/4H x 5"1/8D

D: 61"W x 94"1/2H x 5"1/8D

E: 41"3/8W x 41"3/8H x 5"1/8D

F: 55"1/8W x 55"1/8H x 5"1/8D

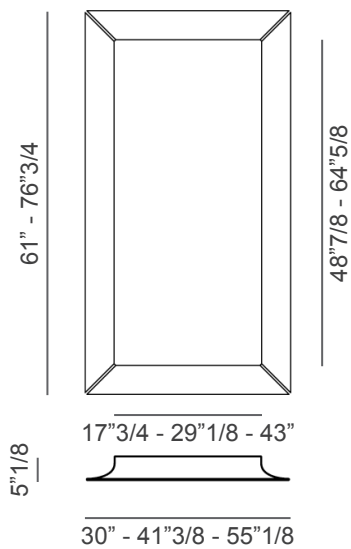
G: 76"3/4W x 76"3/4H x 5"1/8D

H: 61"W x 30"H x 5"1/8D

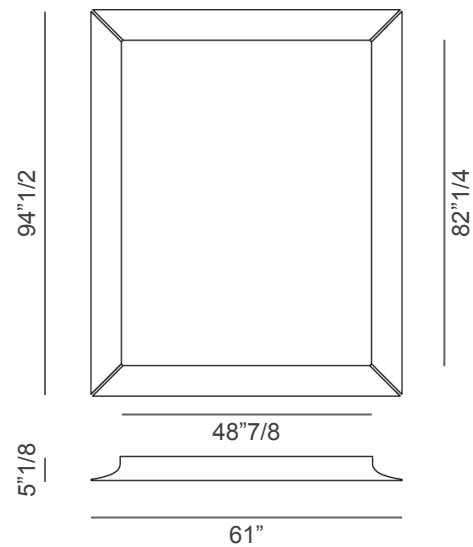
I: 76"3/4W x 55"1/8H x 5"1/8D

J: 94"1/2W x 61"H x 5"1/8D

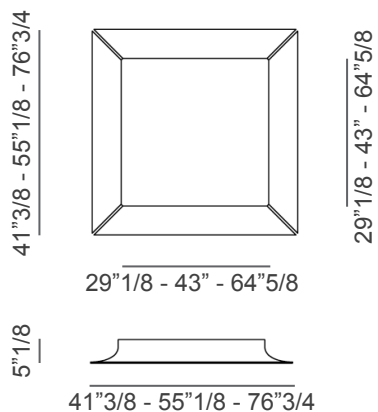
A,B,C



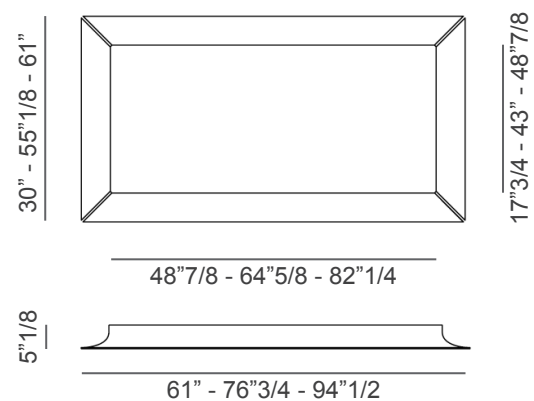
D



E,F,G



H,I,J



(For more specifications, please refer to "Finishes & Materials")