

Joyce

Design: Massimiliano Raggi



Description

Ottoman with solid wood and plywood structure, composed of one central round element and eight side elements. Polyurethane foam padding and upholstery in fabrics or leathers as per collection. Distressed paint finish plinth base. Made in Italy.

Finishes and materials

Structure: Solid wood and plywood.

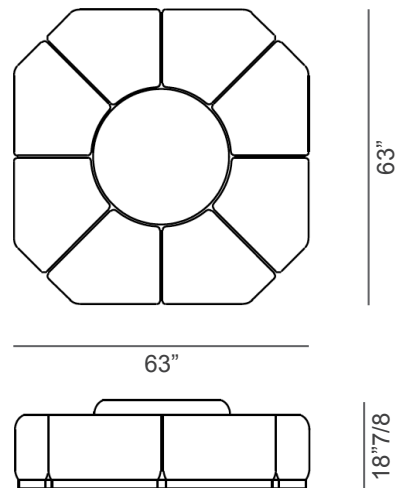
Padding: Polyurethane foam.

Cover: Fabric Cat. A, B, C, D, Leather Cat. Basic or Premium, C.O.M fabric or C.O.L.

Plinth Base: Distressed paint finish.

Dimensions

45"5/8W x 45"5/8D x 17"H



(For more specifications, please refer to "Finishes & Materials")