

You

Design: HBA



Description

Armchair with plywood internal structure. Side panels made of three different layers of timber. Polyurethane foam padded seat and back, upholstered in fabrics and leathers as per collection. Made in Italy.

Finishes and materials

Internal structure: Plywood.

Arms & legs: Three different layers of timber.

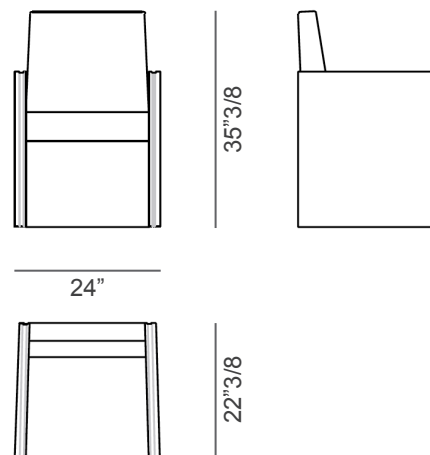
Padding: Polyurethane foam.

Cover: Fabric Cat. A, B, C, D, Leather Cat.

Basic or Premium, C.O.M fabric or C.O.L.

Dimensions

24"W x 22"3/8D x 35"3/8H



(For more specifications, please refer to "Finishes & Materials")