

## Chimera

*Design: Dainelli Studio*



### *Description*

Family of coffee tables made of curved and hammered 1/2" thick tempered glass. Available in three different sizes that can be used alone or in compositions. Made in Italy.

### *Finishes & Materials*

**Structure:** Curved and hammered 1/2" thick tempered glass in smoked or pacific blue finish.



\* For more specifications, please refer to the "Finishes & Materials" PDF

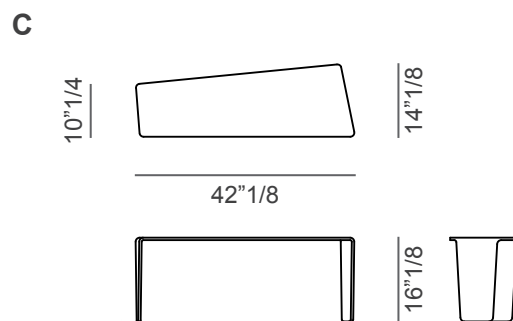
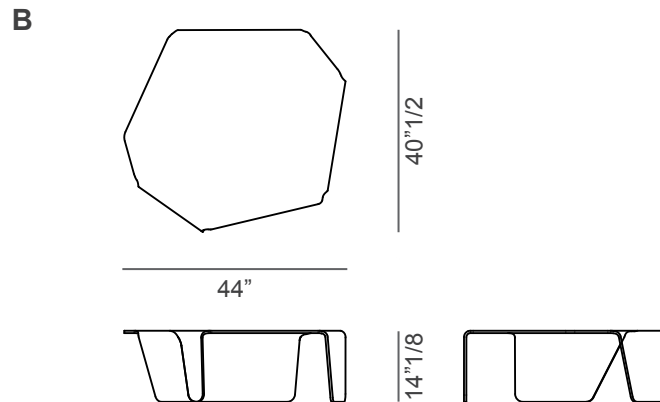
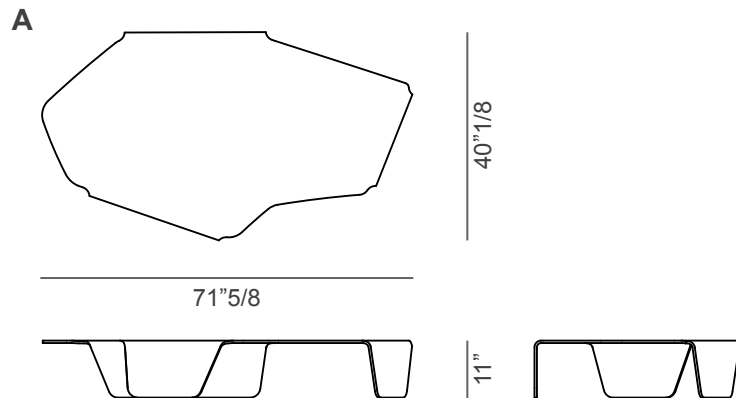
## Chimera

### Dimensions

**A:** 71"5/8W x 40"1/8D x 11"H

**B:** 44"5/8W x 40"1/2D x 14"1/8H

**C:** 42"1/8W x 14"1/8D x 16"1/8H



\* For more specifications, please refer to the "Finishes & Materials" PDF