

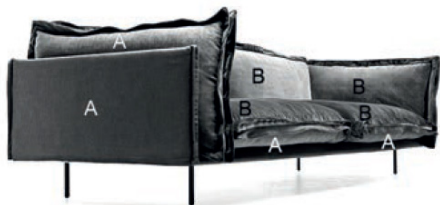
Auto-Reverse

Design: Giuseppe Viganó



Description

Sectional composed of two units with metal structure padded with non-deformable polyurethane foam. Goose and duck down cushions. Double sided covers available in the fabrics and leathers as per collection with visible zippers, available in the colors of the zip samples. The cover of the structure is always in the same fabric or leather of one side of the cushions. Metal feet with square section in micaceous brown, titanium or brass finish, available in two different heights. Made in Italy.



Finishes & Materials

Structure: Metal.

Padding: Non-deformable polyurethane foam.

Cushions filling: Goose and duck feathers.

Cover: Fabric Cat. A, C, D, E, Extra, Top or C.O.M.;
Leather Cat. First, Plus, A, B, Pelle Leonardo or C.O.L.

Feet: Metal, micaceous brown, titanium or brass finish.

Side A: structure + one side of cushions.

Side B: other side of cushions.

* For more specifications, please refer to the "Finishes & Materials" PDF

Auto-Reverse

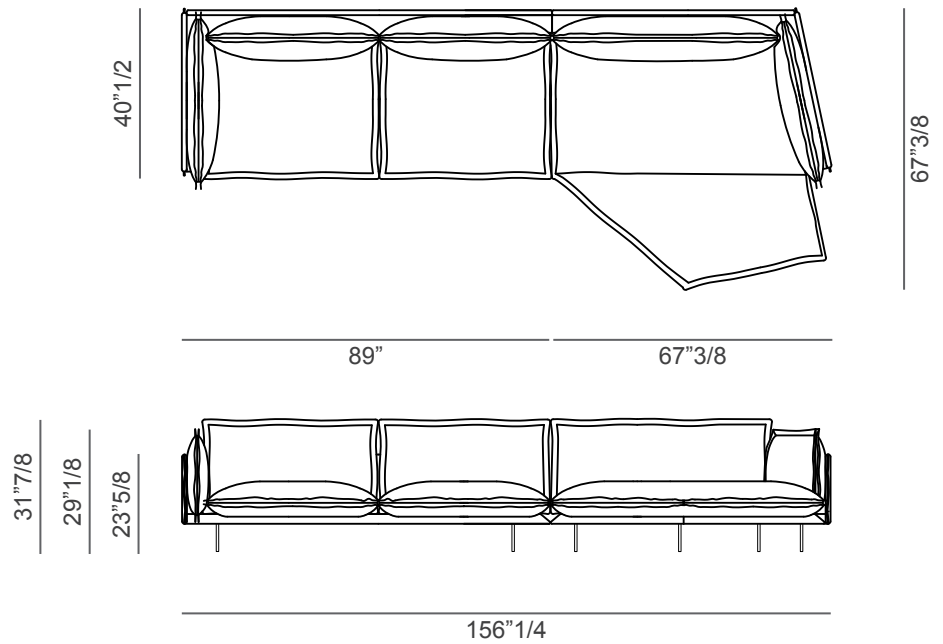
Dimensions

156"1/4W x 67"3/8"D x 31"7/8H

Seat height: 17" - 18"7/8

Armrest height: 29"1/8

Feet height: 6"5/8 - 8"5/8



Single units dimensions:

