

Atar

Design: Giuseppe Viganò



The image corresponds to Composition 4

Description

Sectional with modular pieces that make possible to form captivating compositions that facilitates the development of Glamour design. Some concave elements are shaped to combine bar tables, ottomans or other accessories.

The wood structure set on a surface made of poplar and fir plywood, and the entire piece is covered in high density polyurethane foam. Seat cushions feature multi density polyurethane foam interiors with a rounded outer memory foam layer, all encased in soft sterilized goose down. The backrest cushions are in sterilised goose down.

The elegant metal detail inserted in the armrest and the metal frame around the sofa base, are offered in a wide range of finishes. The cover options are: all in fabric, all in leather or with structure in leather and seat and back cushions in fabric. The upholstery CANNOT be removed from the structure, but the seat and back cushions cover is removable. Made in Italy.

Finishes & Materials

Cover: C.O.M. Fabric / Fabric (Cat. D / F / H / I) / C.O.L. / Leather (P.3 / P.6 / P.9 / P.12 / P.15).

Metal parts: Bright shaded brown / Black Rose gold / Bright light gold / Matt Champagne gold / Bright chrome / Bright black chrome / Matt satin bronze / Bright pink gold / Matt pink gold.

* For more specifications, please refer to the "Finishes & Materials" PDF

Atar

Compositions

Composition 1:

143"5/8W x 143"D x 33"1/2H (+ 1 bar cabinet Ø28")

Seat height: 17"

1 end unit LH + 1 open corner 2-seater +

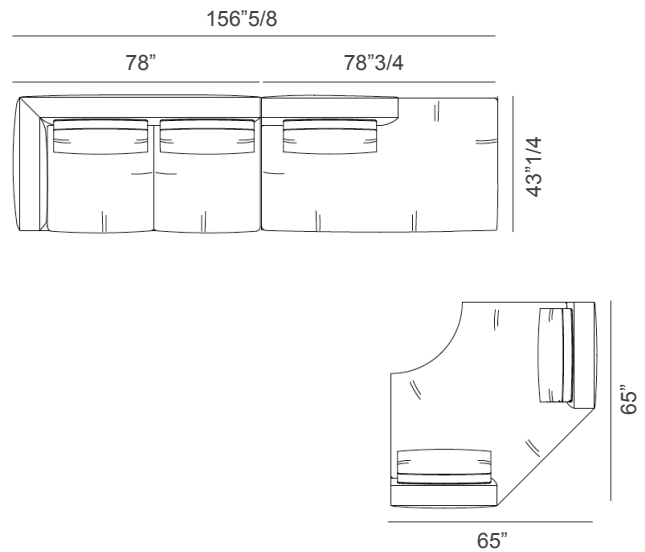
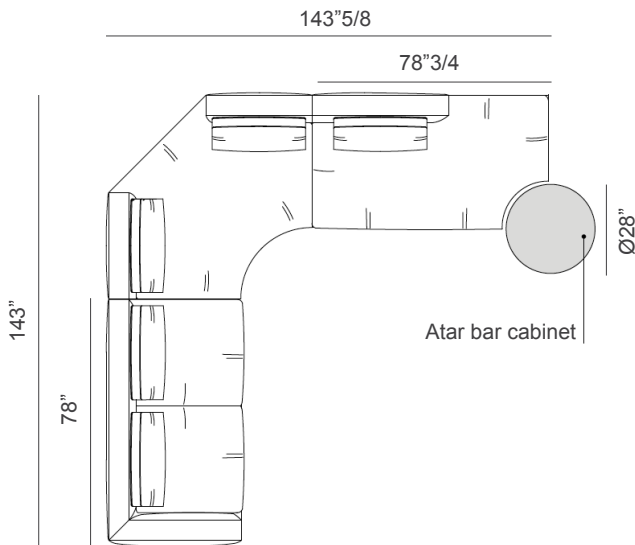
1 chaise longue RH for bar unit + 1 bar table Ø28"

Composition 2:

156"5/8W x 43"1/4D x 33"1/2H (+ 1 open corner 2-seater)

Seat height: 17"

1 end unit LH + 1 chaise longue RH + 1 open corner 2-seater



Composition 3:

176"3/8W x 98"3/8D x 33"1/2H

Seat height: 17"

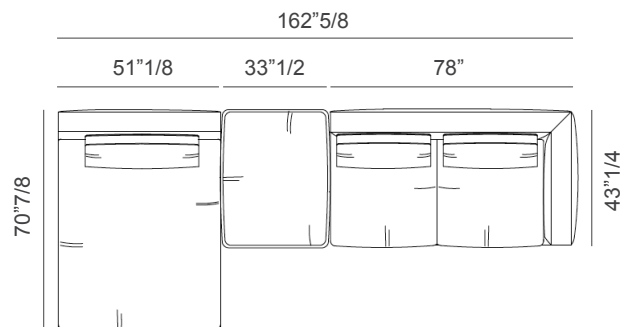
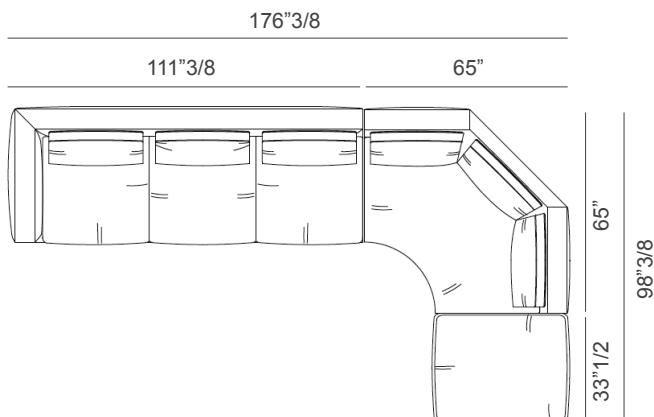
1 end unit LH + 1 open corner 3-seater + 1 ottoman

Composition 4:

162"5/8W x 43"1/4D x 33"1/2H

Seat height: 17"

1 Chaise Longue without armrest + 1 end unit RH + 1 ottoman



Atar

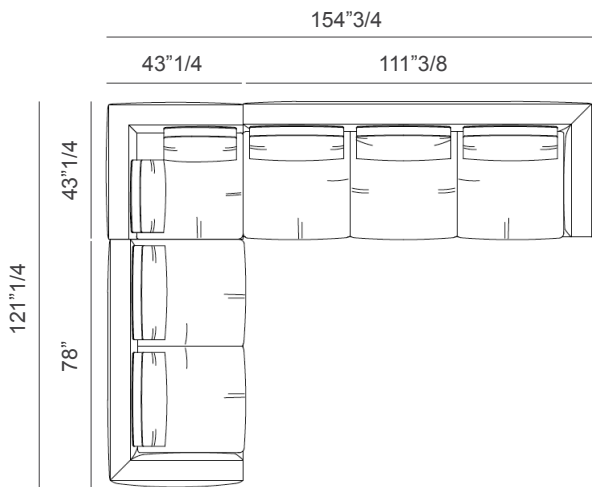
Compositions

Composition 5:

154"3/4W x 121"1/4D x 33"1/2H

Seat height: 17"

1 end unit LH + 1 corner + 1 end unit RH



Composition 6:

175"5/8W x 70"3/4D x 33"1/2H

Seat height: 17"

1 open corner 3-seater + 1 ottoman + 1 chaise longue RH

