

Big Ben

Design: Riccardo Lucatello



Description

Bar Cabinet with structure and shelves in extra clear glass. Wooden base and top and metal legs in Bronze finish. Marble Glass top insert. Two doors with synchronized opening through the visible gears in shiny gold and chrome finish on a Mesh Glass background. Stained ash door stops and metal handles. Made in Italy.

Finishes & Materials

Structure & Shelves: Extra clear glass.

Base & Top: Wood, Bronze finish.

Top insert: Marble Glass.

Legs: Metal, Bronze finish.

Gears: Metal, Gold and polished Chrome finish.

Base insert: Mesh Glass.

Door stops: Stained Ash.

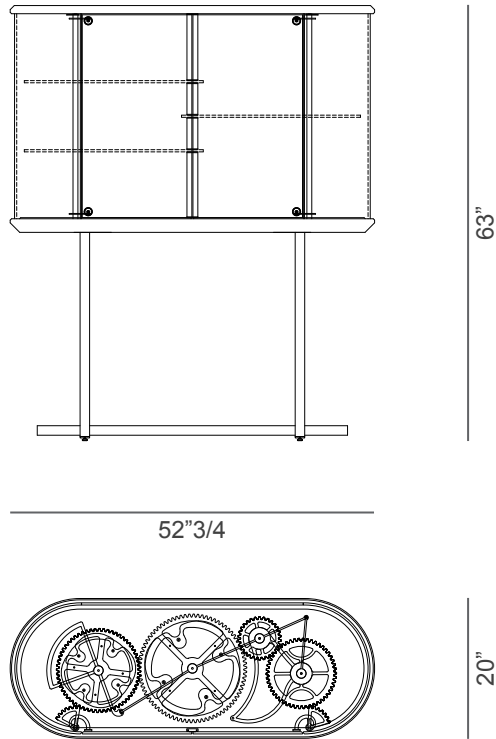
Handles: Metal.

* For more specifications, please refer to the "Finishes & Materials" PDF

Big Ben

Dimensions

52"3/4W x 20"D x 63"H



* For more specifications, please refer to the "Finishes & Materials" PDF