

Up

Design: Martin Ballendat



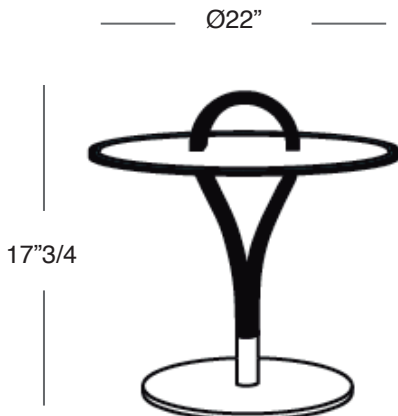
Description

Coffee Table with solid american walnut frame and polished chrome steel base.

Top in extra-clear security glass 3/8" thick.

Dimensions

Ø22" x 17"3/4H



Frame finishes:



NC 8.011
solid
black walnut oiled



NC 8.146
black
walnut stain

Finishes and materials

Base: Polished chrome steel.

Frame: Solid European oak or black walnut.

Top: Extra-clear security glass.

(For more specifications, please refer to "Finishes & Materials")