

## Etan

*Design: Simon Morasi Pipercic*



### *Description*

Low bookcase made of solid oak, with an open-pore finish in white or black oil, which enhances its natural grain. It has been designed with soft rounded edges that give a welcoming and friendly appearance. Special attention has been paid to the study of the assembly, to be really simple and user-friendly for everyone, even the less experienced. Made in Italy.

### *Finishes & Materials*

**Structure:** Solid oak, with an open-pore finish in white oil or black oil.



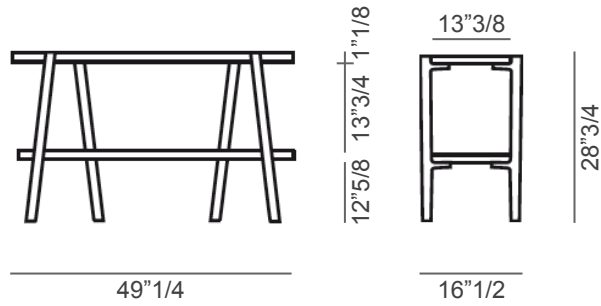
\* For more specifications, please refer to the "Finishes & Materials" PDF

## Etan

---

### *Dimensions*

49"1/4W x 16"1/2D x 28"3/4H



\* For more specifications, please refer to the "Finishes & Materials" PDF