

## Nilson

*Design: Lievore Altherr*



### *Description*

Swivel lounge chair with structure in solid wood and plywood, armrests in curved plywood, padding in non-deformable expanded polyurethane with differentiated densities. Lining in canvas coupled with polyester fibers and Velfodera. Four-legged swivel base in bronzed lacquered cast aluminium. Covers in fabrics or leathers as per collection or customer's own material. The covers can be completely and easily removed except for the leather version. Upon request, armrests are available in dark brown cowhide leather with visible cut and sew or upholstered with the leathers available in collection. Matching footrest available on demand. Made in Italy.

### *Finishes & Materials*

**Base:** Bronze lacquered cast aluminum.

**Cover:** C.O.M., Fabric Cat. A, Extra, Super, Special, Top or Luxus. Leather Cat. Leather or Leather Extra.

**Armrests:** Dark brown hide leather, Leather Cat. Leather or Leather Extra or same cover as sofa.

\* For more specifications, please refer to the "Finishes & Materials" PDF

## Nilson

### Dimensions

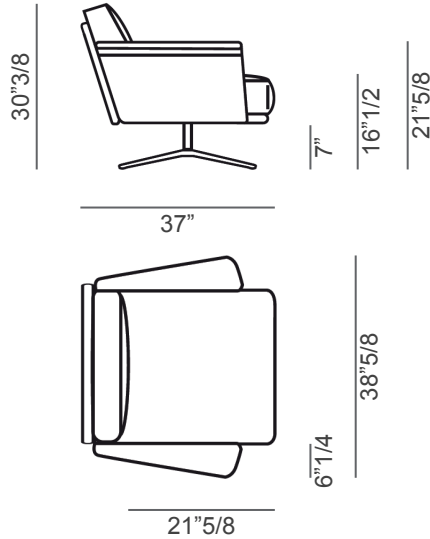
38"5/8W x 37"D x 30"3/8H

Seat height: 16"1/2

Armrest height: 21"5/8

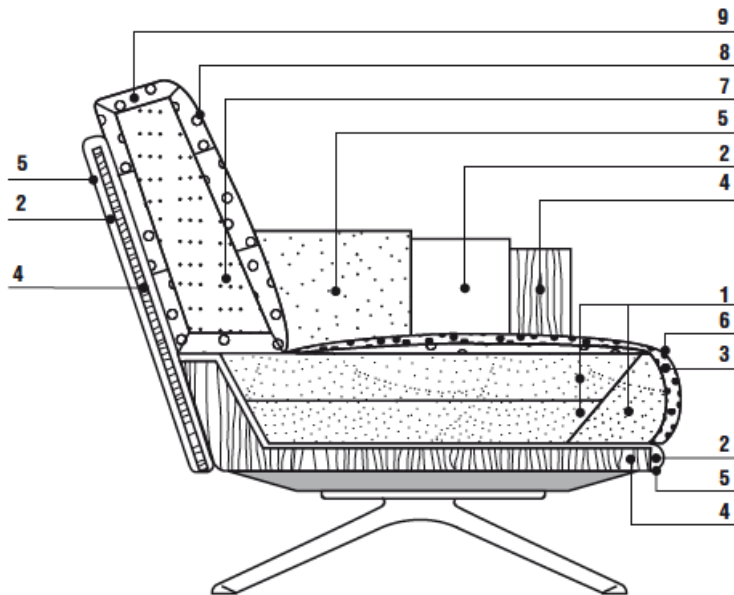
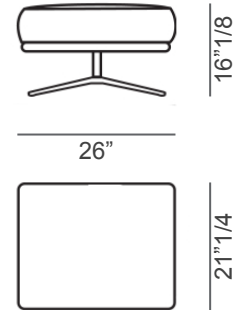
Suggested cushion:

18"1/2W x 18"1/2H



Footrest:

26"W x 21"1/4D x 16"1/8H



1. Differentiated density polyurethane
2. Polyurethane
3. Polyester fibers
4. Frame in solid wood and plywood
5. Velfodera
6. Fabric lining
7. Polyurethane insert
8. Featherproof fabric cover
9. Feathers

Swivel base:

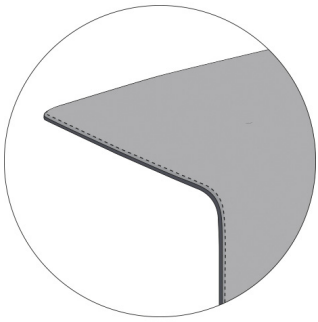
Bronze lacquered cast aluminum



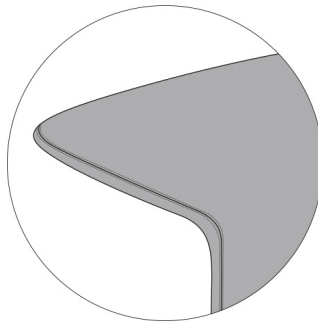
\* For more specifications, please refer to the "Finishes & Materials" PDF

## Nilson

---



**Dark brown hide leather armrest**



**Leather armrest**



\* For more specifications, please refer to the "Finishes & Materials" PDF