

## Cosy

*Design: Francesco Rota*



### *Description*

Cosy comes from the idea to offer high comfort with a reassuring, warm and familiar gesture. The timeless lines, soft and all embracing design, adaptability and versatile character make Cosy a padded item that offers the utmost comfort in a wide range of situations, environments and frameworks. Sectional created with of padded modular elements featuring seats with different depths and lengths; backs with different heights, either aligned or corner compositions; coffee tables and additional cushions. A highly versatile system designed for consumers to choose their favourite composition that will meet their needs and blend into any setting, environment, style and taste.

The sectional comes with bearing frame made of solid and multilayer wood, base with elastic belts, feet and concealed hook system. Variable-density foam polyurethane padding and cover in polyester wadding. The fabric covers every part of the sofa and is manufactured to enhance the softness of the sofa. In addition, the cover is completely removable.

Also, standard decorative cushions (19"5/8 x 11"7/8 • 15"3/4 x 15"3/4 • 19"5/8 x 19"5/8), Cosy additional cushions and the Cosy side table, are available upon request. The leather option is available just for the decorative and additional cushions. Cosy additional cushions (with down filling and lateral strip):

- Square cushion 23"5/8 x 23"5/8 • Square cushion 19"5/8 x 19"5/8
- Rectangular cushion 29"1/2 x 15"3/4 • Lower back cushion 29"1/2 x 9"7/8. Made in Italy.

### *Finishes & Materials*

**Cover:** C.O.M. Fabric / Fabric (Cat. B/C/D/E/F/G).

**Structure:** Solid and multilayer wood.

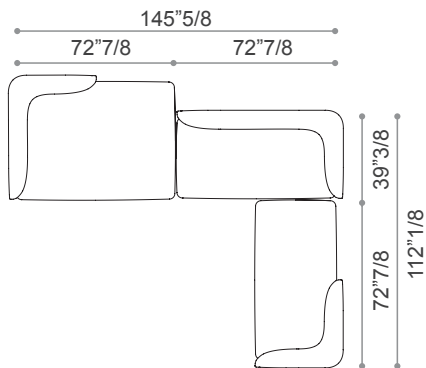
\* For more specifications, please refer to the "Finishes & Materials" PDF

## Cosy

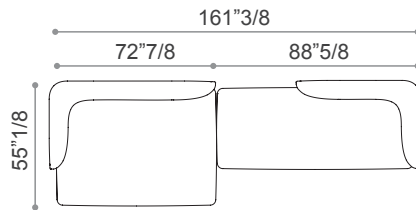
### Compositions

Heights available: 27"1/2 or 31"1/2, depending on the module / composition chosen.

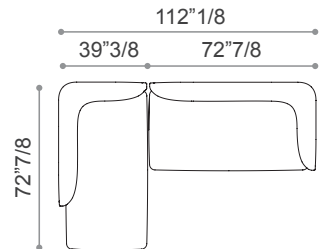
**Composition A:** 145"5/8W x 112"1/8D



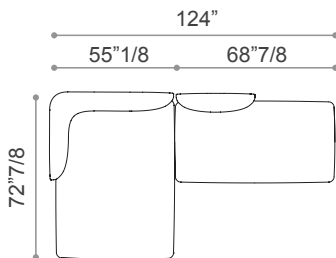
**Composition B:** 161"3/8W x 55"1/8D



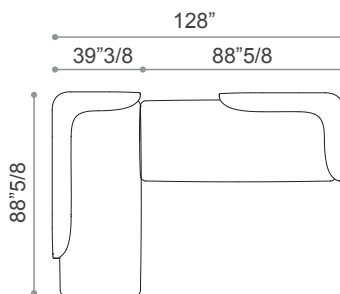
**Composition C:** 112"1/8W x 72"7/8D



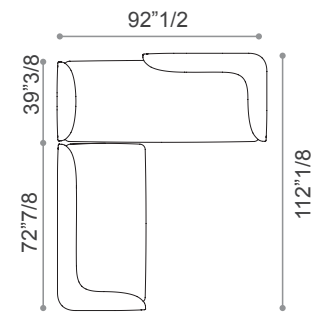
**Composition D:** 124"W x 72"7/8D



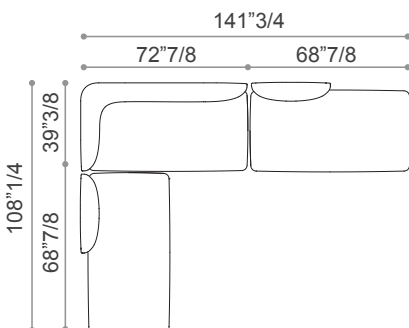
**Composition E:** 128"W x 88"5/8D



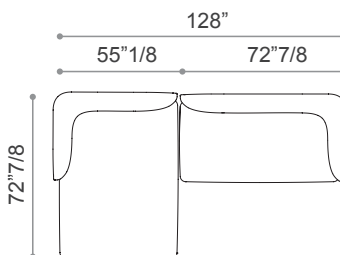
**Composition F:** 112"1/8W x 92"1/2D



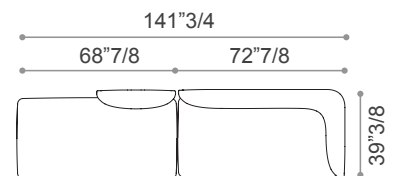
**Composition G:** 141"3/4W x 108"1/4D



**Composition H:** 128"W x 72"7/8D



**Composition I:** 141"3/4W x 39"3/8D

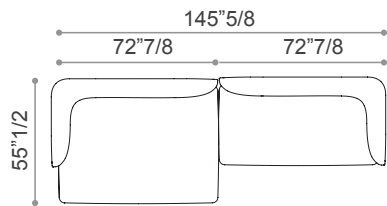


## Cosy

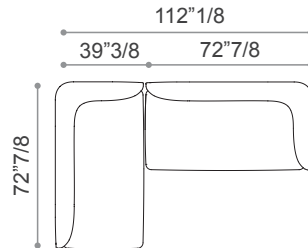
### Compositions (cont.)

Heights available: 27"1/2 or 31"1/2, depending on the module / composition chosen.

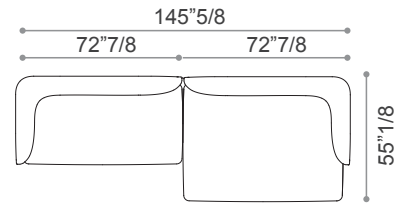
**Composition J:** 145"5/8W x 55"1/2D



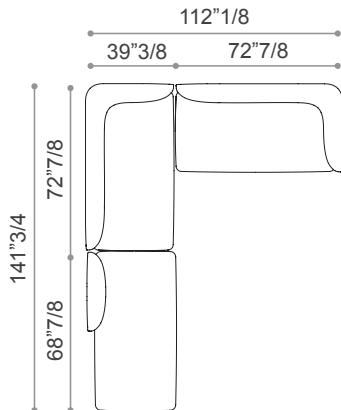
**Composition K:** 112"1/4W x 72"7/8D



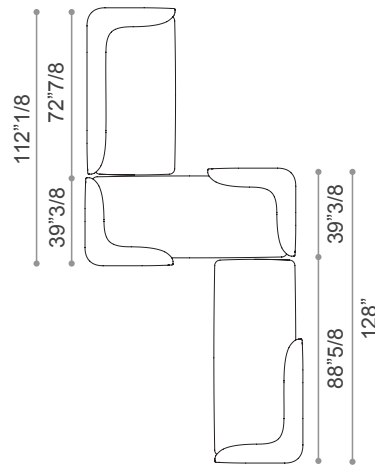
**Composition L:** 145"5/8W x 55"1/8D



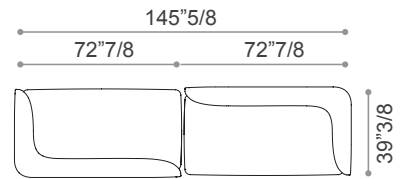
**Composition M:** 141"3/4W x 112"1/8D



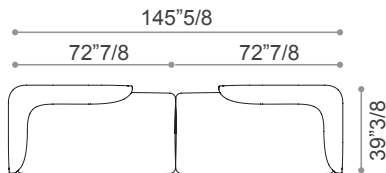
**Composition N:** 212"5/8W x 92"1/2D



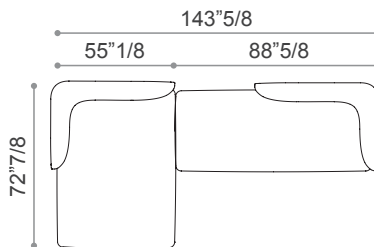
**Composition O:** 145"5/8W x 39"3/8D



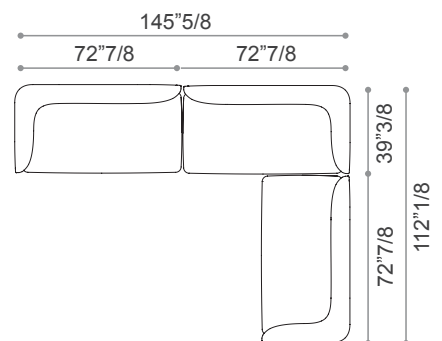
**Composition P:** 145"5/8W x 39"3/8D



**Composition Q:** 143"5/8W x 72"7/8D



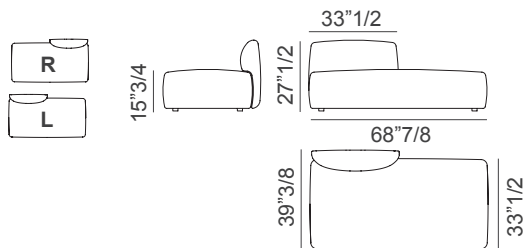
**Composition R:** 145"5/8W x 112"1/8D



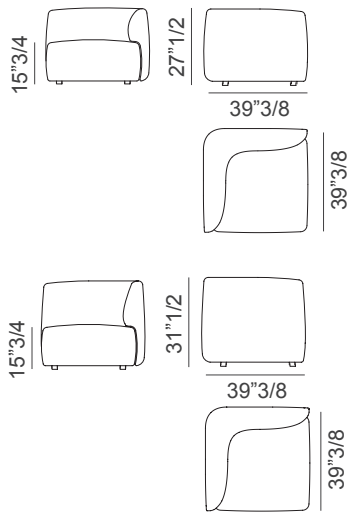
## Cosy

### Elements

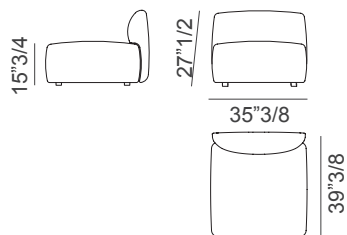
#### Padded modular element S



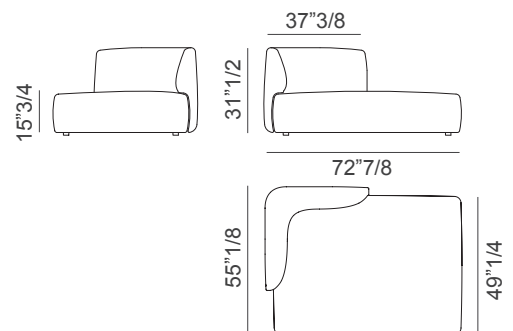
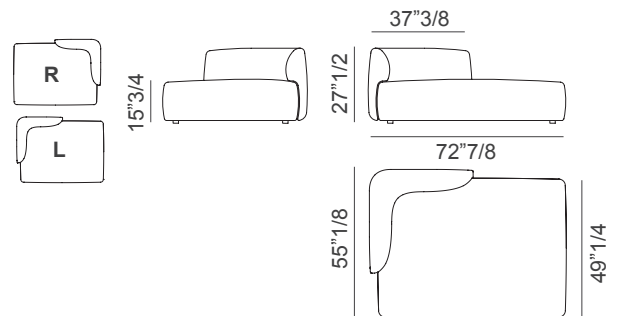
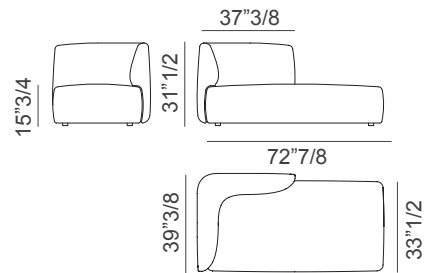
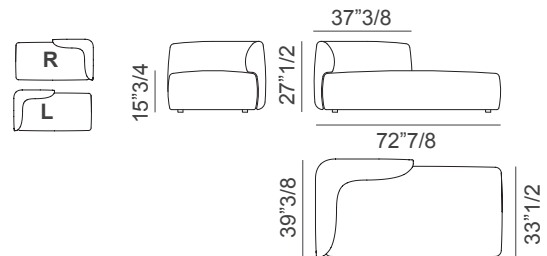
#### Padded corner modular element



#### Padded intermediate modular element



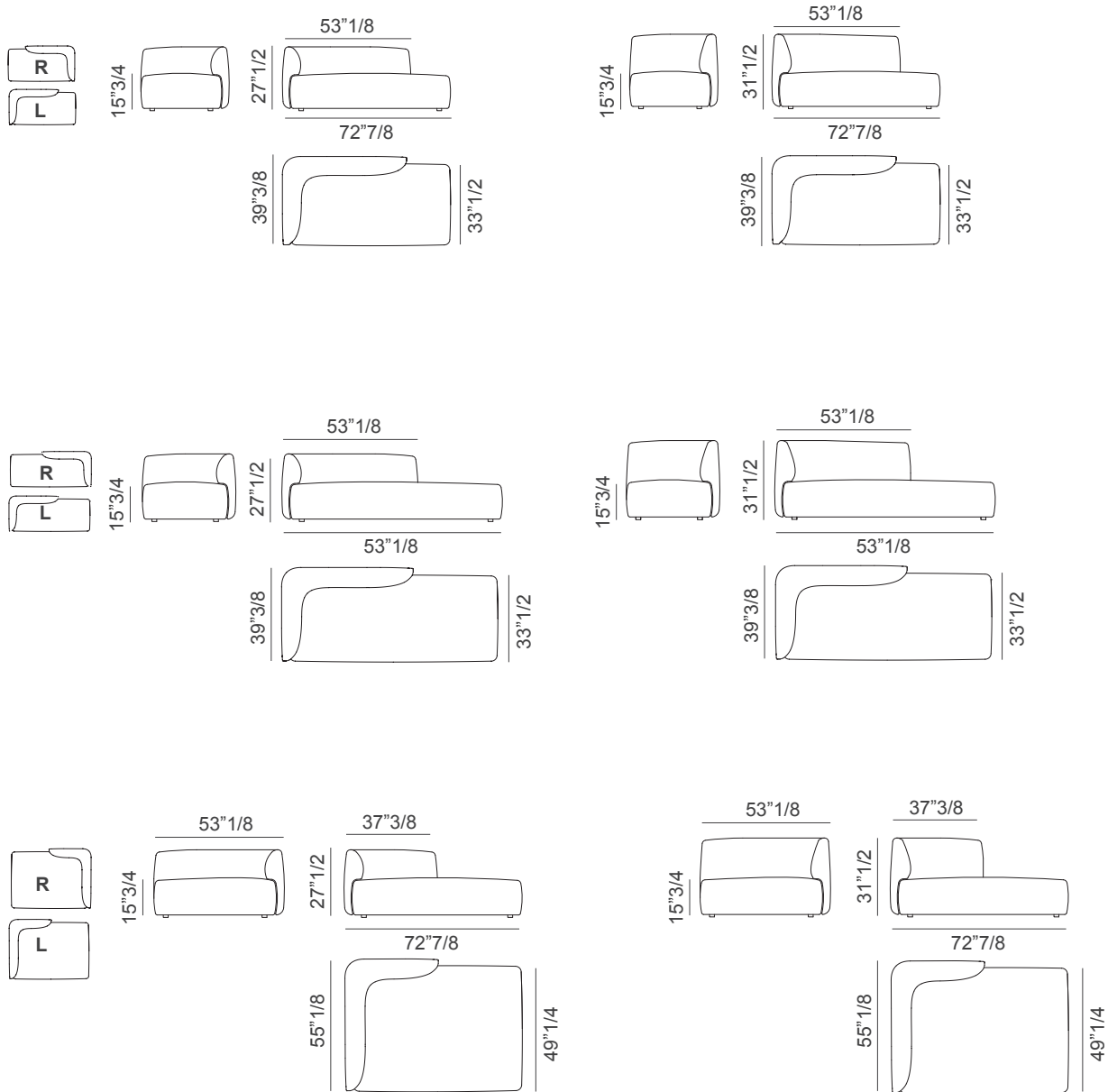
#### Padded modular element M



## Cosy

### Elements (cont.)

#### Padded modular element L



## Cosy

### Elements (cont.)

#### Padded modular element XL

