

20.Venti

Design: 967ARCH



Description

Desk in which the contrast between full and empty volumes, the carefully studied combination of various finishes and the cables built into the bearing frame define an renewed proposal for office furnishings. Two versions are offered: for two users or four users.

Steel frame and legs, section 3/4"x3/4" painted with epoxy powder in the matt colors white and graphite grey. Structural wireway made of medium density fibreboard two-tone surfaced panels, thickness 3/4", with the outside in matt colors white or graphite grey, and the inside always in medium grey. Adjustable aluminum feet with range of +/- 3/8".

Tops are made of medium density fibreboard panels covered with Fenix NTM laminate in the matt colors white, light grey, medium grey and black. Top slides on linear self-lubricating guides; wireway sleeve with polypropylene insert, in black for all color options of the tops. The desk has a structural wireway that can be accessed by sliding the top. It can be used for electrification and cables, or simply as a small storage compartment for everyday items. Moreover, a wide selection of accessories and unit drawers are available upon request (see more details on next pages). Made in Italy.

Finishes & Materials

Top: Fenix (Matt white / Matt light grey / Matt medium grey / Matt black).

Frame & Aecessories: Matt painted white / Matt painted graphite grey.

Open compartments: Matt lacquered wood (White / Orange / Green / Avio blue / Mustard yellow / Dark red).

* For more specifications, please refer to the "Finishes & Materials" PDF

20.Venti

Dimensions

Desk for two users

A) 63"W x 63"D x 29"1/2H

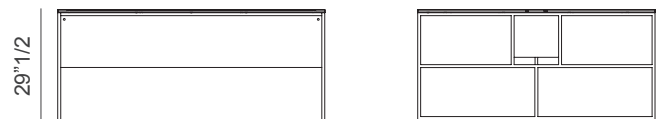
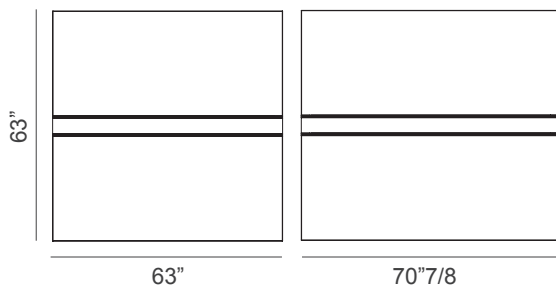
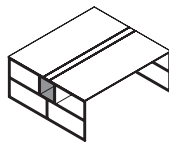
B) 70"7/8W x 63"D x 29"1/2H

Desk for four users

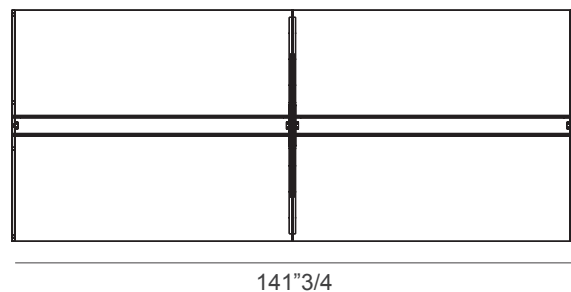
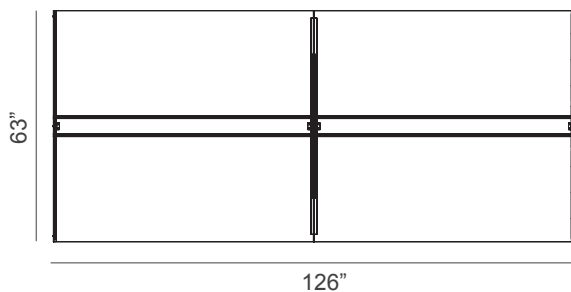
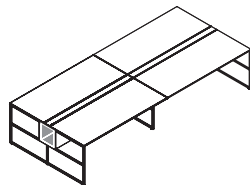
A) 126"W x 63"D x 29"1/2H

B) 141"3/4W x 63"D x 29"1/2H

DESK FOR TWO USERS

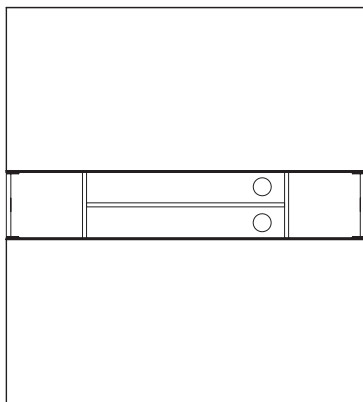
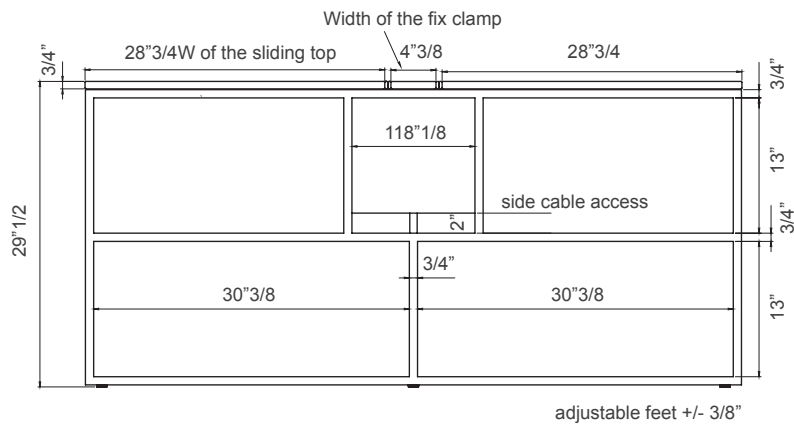


DESK FOR FOUR USERS

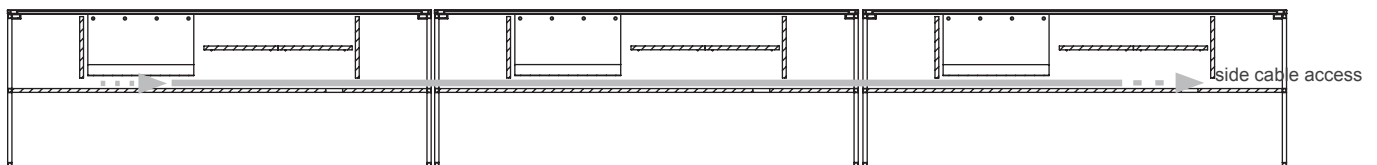
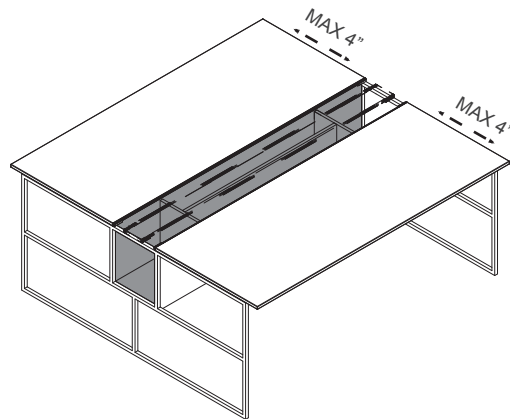


20.Venti

Desk for two users details



Cabinet internal view



20.Venti

Accessories



Sound-absorption screen and open compartment

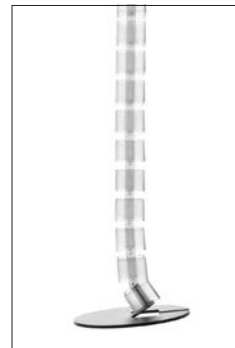
. **OPEN COMPARTMENT:** inserted on the side of the frame, simply placed and available for the single and double version with front seats; produced in medium density fibreboard, thickness 3/8", available micro goffered lacquered in the colours white, orange, green, avio blue, mustard yellow and dark red.

. **SOUND-ABSORPTION SCREEN:** panel with variable density internal padding patented by Snowsound Technology, external polyester fabric cover Trevira CS white and light grey. Available in 17"3/8H and 62"1/2W or 70"1/2W. Provided with a pair of zamak joints to secure them to the top, painted with epoxy powder in the matt colors white and graphite grey.



Pc stand with castors

. **PC STAND WITH CASTORS:** made of sheet steel painted with epoxy powders in the matt colors white and graphite grey, with castors, in the size: 9"5/8W x 22"5/8D x 22"7/8.



Wireway sleeve

. **WIREWAY SLEEVE:** made of flexible, transparent polycarbonate, designed to hold PC and electronic device cables. Secure directly to the structural wireway. Steel base painted with silver epoxy powder, 6"1/2.



Stationary and document holder: pen holder, bookends, document holder



. **STATIONARY AND DOCUMENT HOLDER:** made of sheet steel painted with epoxy powders in the matt colors white and graphite grey, available in 2-piece kits, and divided into following options:

Pen holder: 9"7/8 x 4"3/4D x 2"3/8H

Bookends: L21, D13 and H21 cm

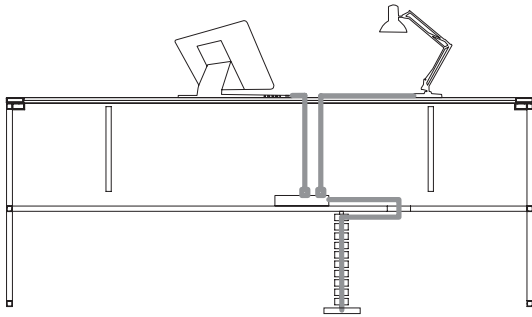
Hor. doc. holder: 12"3/4W x 10"1/8D x 2"1/8H

Ver. doc. holder: 3"5/8W x 9"3/8D x 10"7/8H

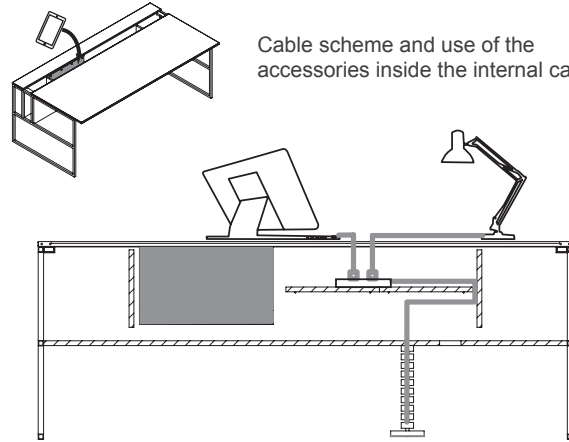
20.Venti

HOW TO USE THE ACCESSORIES

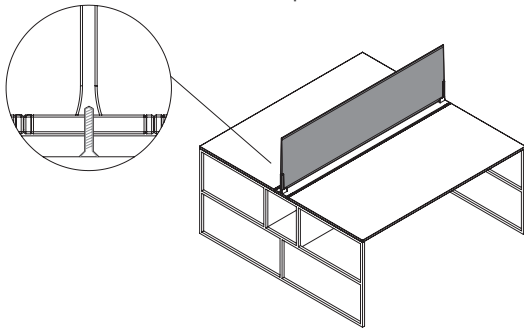
Cable scheme and use of the internal cabinet without accessories



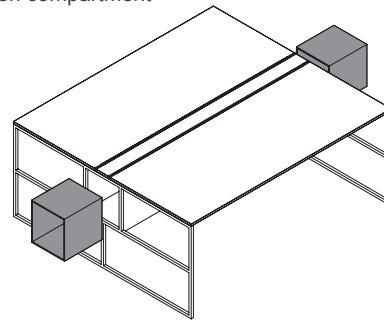
Cable scheme and use of the accessories inside the internal cabinet



Sound-absorption screen



Open compartment

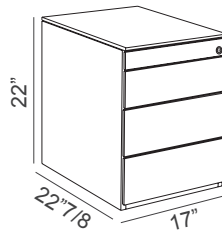
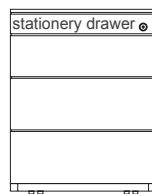


DRAWER UNIT A / B

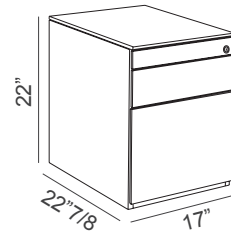
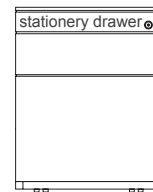


stationery drawer

VERSION A
THREE DRAWERS + stationery drawer



VERSION B
DRAWER + FILING UNIT + stationery drawer



BASIC DRAWER UNIT



stationery tray

BASIC VERSION
THREE DRAWERS

