

Dandy



Description

Professional 7ft, 8ft or 9ft Pool Table. Playing surface made of solid, smooth slate slab covered with pool cloth by leading company Simonis, available in different colors.

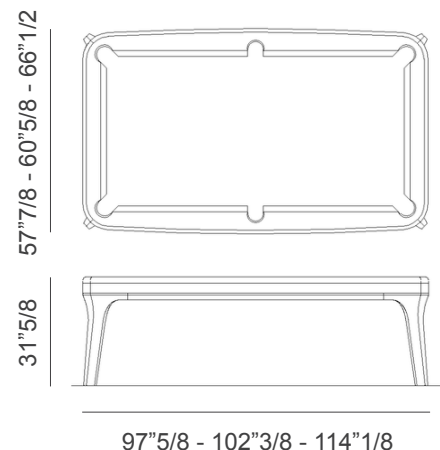
Pockets covered with leather. Structure covered in european leather CAT. Soft. Top edge in veneered Noce canaletto or Ebony Makassar. Optional accessories: dining covering top, Bobo cue rack, cues & balls. Made in Italy.

Dimensions

7 feet: 97"5/8W x 57"7/8D x 31"5/8H
Playing surface: 82"5/8W x 42"3/8D

8 feet: 102"3/8W x 60"5/8D x 31"5/8H
Playing surface: 88"1/8W x 44"D

9 feet: 114"1/8W x 66"1/2D x 31"5/8H
Playing surface: 100"W x 50"D



* For more specifications, please refer to the "Finishes & Materials" PDF

Dandy

Optional accessories

- . **Bobo Cue Rack (MC.POC.BOB):** Free standing cue rack with Hole for 6 cues and space for 16 balls. Top and base lacquered in soft touch finishes. Structure covered with european leather CAT. Soft.
- . **Dining covering top:** Structure divided in 2/3 pieces. Lacquered or veneer Canaletto/Ebony finish matching the pool top edge.
- . **Cues set:** Qty. 6 cues in wood.
- . **Balls set:** Qty. 16 billiard balls.
- . **Brush cloth:** Qty. 1 felt cleaner that works by static electricity and by capillarity. Removes chalk and dust on Simonis cloth.

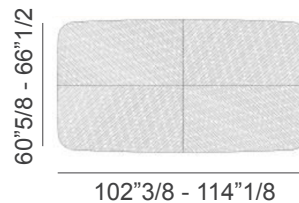
Dimensions

Bobo cue rack: Ø23" x 21"1/2H



Dining covering top:
For 8 feet Pool Table:
102"3/8W x 60"5/8D

For 9 feet Pool Table:
114"1/8W x 66"1/2D



Cues:
57" long

Balls:
Snooker pool: Ø2"
American pool: Ø2"1/4

* For more specifications, please refer to the "Finishes & Materials" PDF