

Emma

Design: Monica Armani



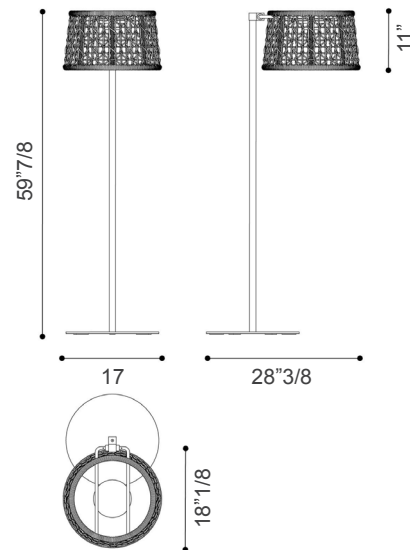
Description

Aluminum structure with circular base in steel treated with C5M cycle.

Handwoven, powder coated aluminum lampshade equipped with a 360° tilt adjustment system. Equipped with battery. LED lighting. Made in Italy.

Dimensions

17"W x 28"3/8D x 59"7/8H



Finishes & Materials

Structure: Powder coated aluminum.

Lampshade: Powder coated aluminum woven with synthetic fiber rope.

* For more specifications, please refer to the "Finishes & Materials" PDF