

Roll

Design: Dondoli e Pucci

Description

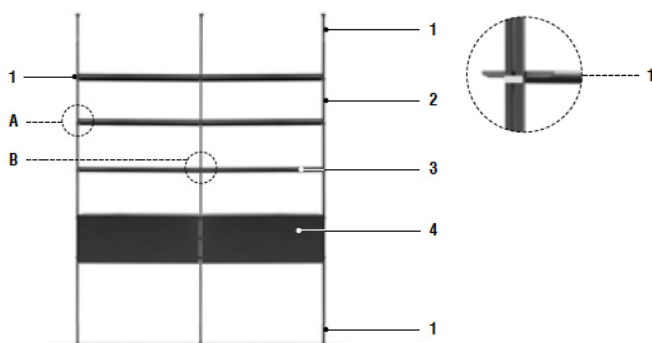
Wall fixing bookcase. Mounting it to the wall takes place by means of supports composed of metal tubes with lead finish.

The shelves and the details that come out of the metal tubes are available in the same finish as the supports or in different finishes, for a play of contrasts of utmost elegance.

The modularity of this bookcase makes it suitable for any space. A box module is also available, to store objects and books.

Maximum capacity: 10 kgs per shelf.
Made in Italy.

Finishes & Materials



The minimum number of shelves to be placed between two uprights is equal to 2.

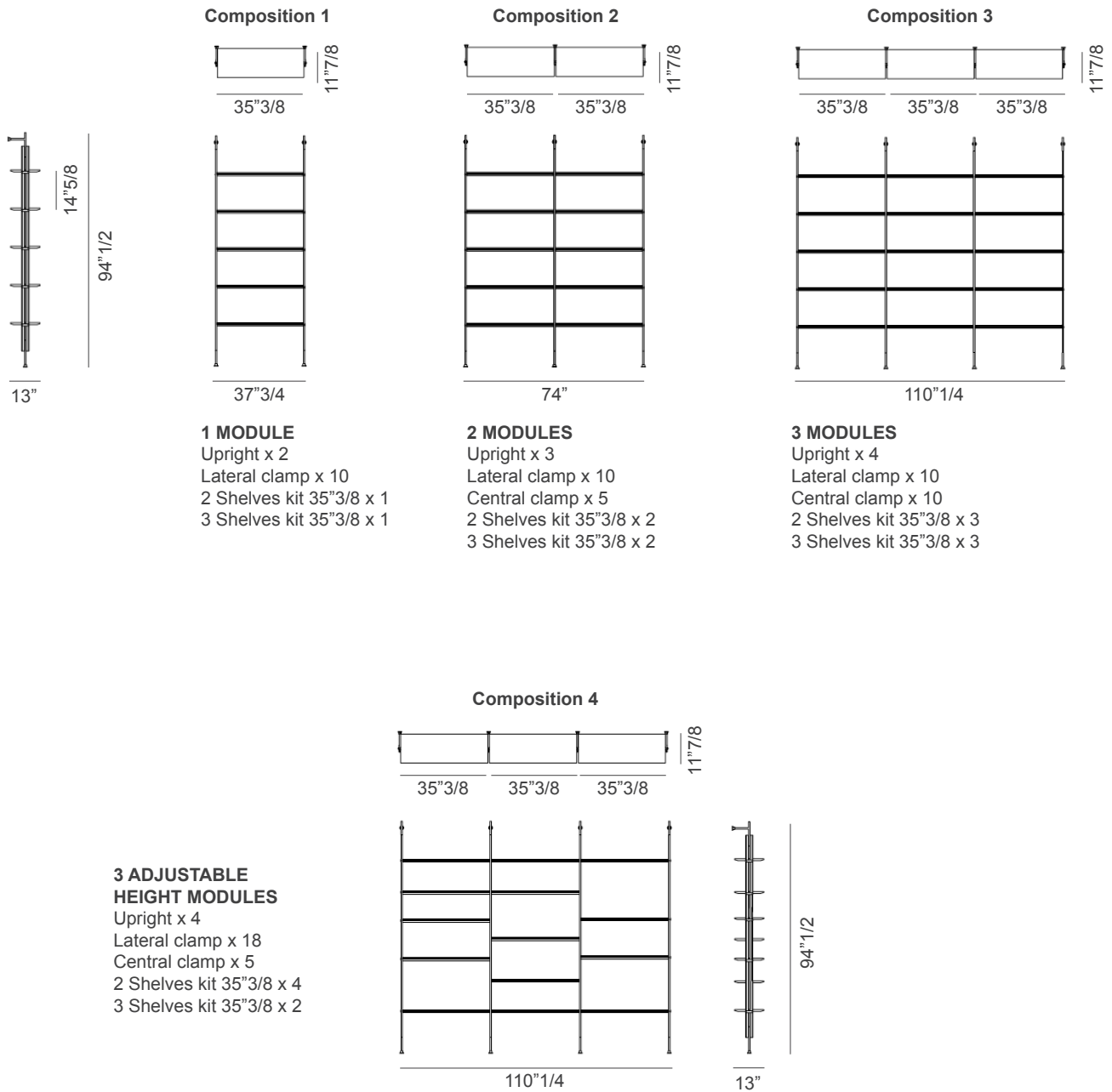


- 1. Upright Details & Clamp:** Lead plus metal / Special metal (Matt brass / Matt copper).
- 2. Upright :** Lead plus metal.
- 3. Shelf:** Lead matt lacquered wood / Canaletto walnut Veneered wood.
- 4. Box:** Lead matt lacquered wood.

* For more specifications, please refer to the "Finishes & Materials" PDF

Roll

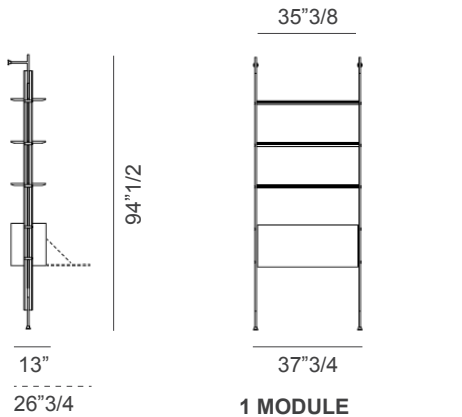
Compositions



Roll

Compositions (cont.)

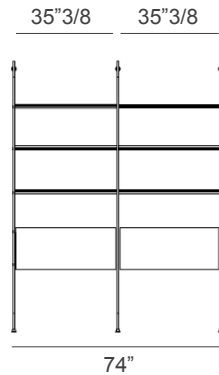
Composition 5



1 MODULE

Upright x 2
Lateral clamp x 10
3 Shelves kit 35" $\frac{3}{8}$ x 1
Box x 1

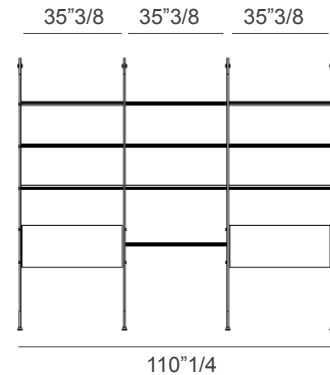
Composition 6



2 MODULES

Upright x 3
Lateral clamp x 10
Central clamp x 5
3 Shelves kit 35" $\frac{3}{8}$ x 2
Box x 2

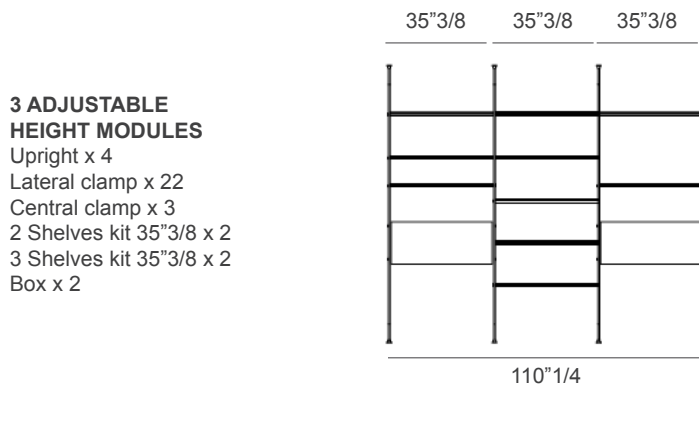
Composition 7



3 MODULES

Upright x 4
Lateral clamp x 16
Central clamp x 6
2 Shelves kit 35" $\frac{3}{8}$ x 2
3 Shelves kit 35" $\frac{3}{8}$ x 2
Box x 2

Composition 8



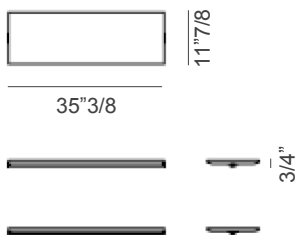
3 ADJUSTABLE HEIGHT MODULES

Upright x 4
Lateral clamp x 22
Central clamp x 3
2 Shelves kit 35" $\frac{3}{8}$ x 2
3 Shelves kit 35" $\frac{3}{8}$ x 2
Box x 2

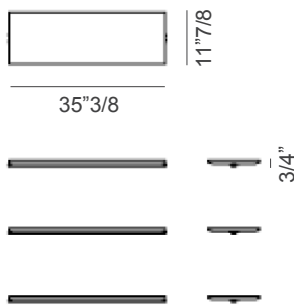
Roll

Elements

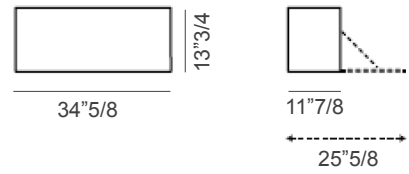
2 shelves kit
(shelf: 35"3/8)



3 shelves kit
(shelf: 35"3/8)



Box



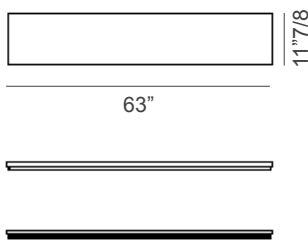
Lateral clamp



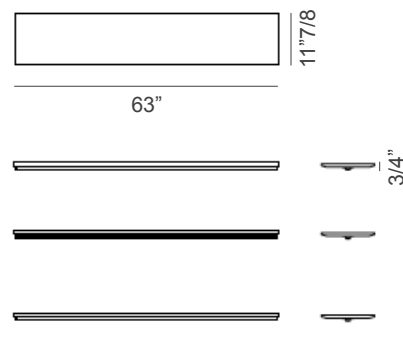
Central clamp



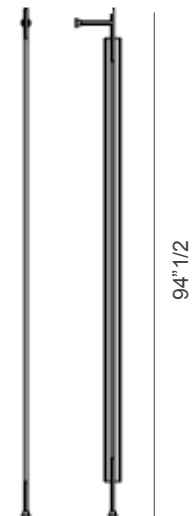
2 shelves kit
(shelf: 63")



3 shelves kit
(shelf: 63")



Upright



Shelf support 63"

