

Cadira



Description

Armchair with swivel lacquered metal base, embossed black, white, clay or mocha finishes.

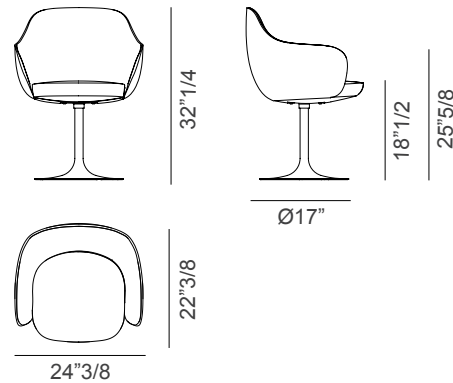
Upholstered in Fabric, Velvet, Eco-leather, Eco-leather Nabuk, Leather.
Made in Italy.

Dimensions

24"3/8W x 22"3/8D x 32"1/4H

Seat height: 18"1/2

Armrest height: 25"5/8



Finishes & Materials

Upholstery: Fabric (Hallingdal 65 / Trevira - Step) / Velvet / Eco-leather / Eco-leather Nabuk / Leather.

Base: Embossed lacquered metal (White / Black / Clay / Mocha).

* For more specifications, please refer to the "Finishes & Materials" PDF