

# Seventy Coffee Table



## *Description*

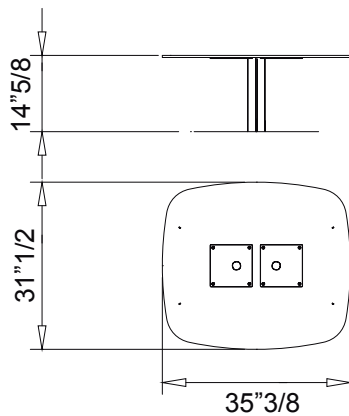
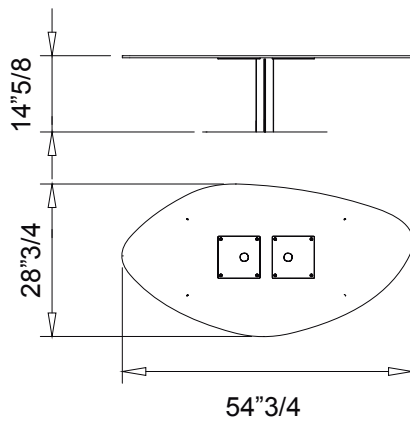
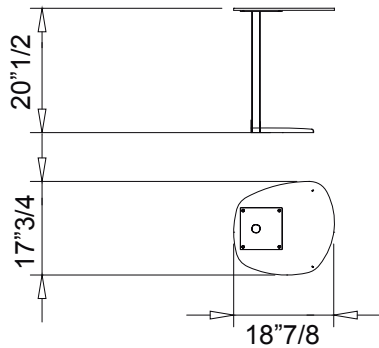
Collection of shaped side and coffee tables with base in metal Grafite finish. Glass top 3/8" th. with polish edges in lacquered or etched lacquered glass (in nero beluga, latte or fumo), Carbon glass or in Mesh glass. Optional top in lacquered or etched lacquered glass, other standard colors, and optional base in Titanium finish.

## *Dimensions*

18"7/8W x 17"3/4D x 20"1/2H

54"3/4W x 28"3/4D x 14"1/8H

35"3/8W x 31"1/2D x 14"1/8H



## *Finishes and materials*

Base: metal grafite finish

Top: glass (lacquered, etched lacquered, Carbon glass or Mesh glass)

Optional:

\*Top in lacquered or etched lacquered glass, other standard colors

\*Base in Titanium finish

*(For more specifications, please refer to "Finishes & Materials")*