

Shoji

Design: Studio Hosoe + Lorenzo De Bartolomeis



Description

Cupboard with structure and internal shelves in extra clear or smoked glass. Sliding door in mirror. Top, back and door are also available in various finishes of ceramic. Two heights available. Optional drawer units in Canaletto walnut, Siberian Ash, Eucalipto or matt lacquered in RAL colors. The tallest version can also be equipped with a hanger rod. Made in Italy.

Finishes & Materials

Structure & shelves: Extra clear or smoked glass.

Door: Mirror (extra clear glass structure), smoked or bronze mirror (smoked structure).

Top, back & door: Ceramic: Pietra di Savoia anthracite bocciardato, matt or polished Noir desir, matt or polished Emperador, polished Calacatta Oro Venato, matt or polished Pietra Grey, polished or bocciardato Sahara noir.

Drawer unit: Canaletto walnut, Siberian Ash, Eucalipto or matt lacquered in RAL colors.

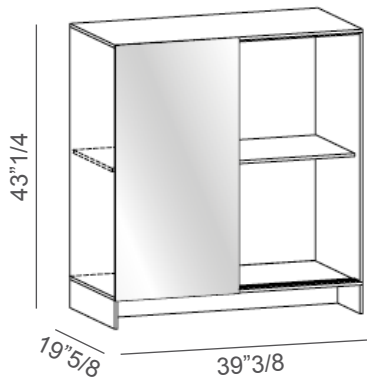
Shoji

Dimensions

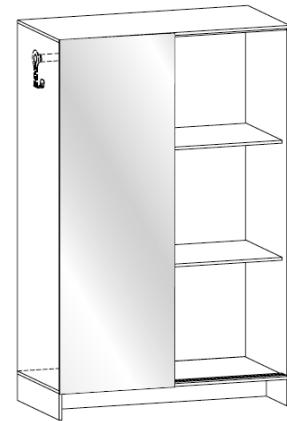
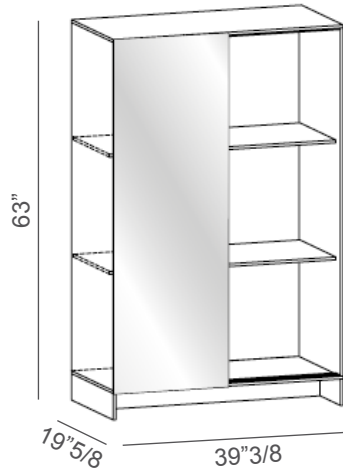
A: 39"3/8W x 19"5/8D x 43"1/4H

B: 39"3/8W x 19"5/8D x 63"H

A

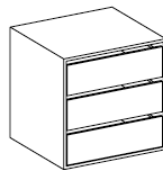


B



High cupboard
with hanger rod.

Optional drawer unit in veneered
Canaletto walnut, Siberian Ash
or Eucalipto or RAL laquered.



* For more specifications, please refer to the "Finishes & Materials" PDF