

## T5 E

*Design: Giulio Mancini*



### *Description*

Extendable table with central base or two legs in metal, in graphite black or brushed bronze finish. Rectangular top and extensions available in dark smoked glass or in ceramic with uninterrupted grain, in several matt or polished finishes. The extension mechanism is always matt black lacquered. Two sizes available. Made in Italy.

### *Finishes & Materials*

**Base/Legs:** Graphite black or brushed bronze lacquered metal.

**Top:** Dark smoked glass or ceramic: Pietra di Savoia anthracite bocciardato, matt or polished Noir Desir, matt or polished Emperador, polished Calacatta Oro Venato, matt or polished Pietra Grey, polished or bocciardato Sahara Noir.

\* For more specifications, please refer to the "Finishes & Materials" PDF

T5 E

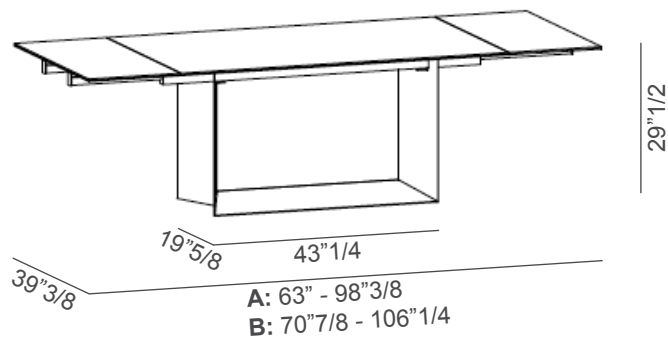
---

## Dimensions

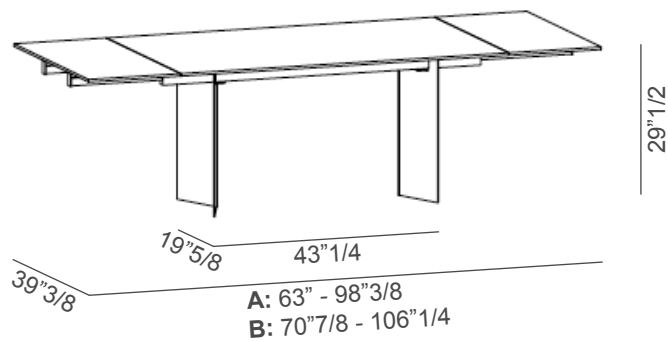
**A:** 63"W x 39"3/8D x 29"1/2H - Extends to 98"3/8 W

**B:** 70"7/8W x 39"3/8D x 29"1/2H - Extends to 106"1/4W

### Version 1: Central base



### Version 2: Two legs



\* For more specifications, please refer to the "Finishes & Materials" PDF