

Amet

Design: Emanuele Missaglia

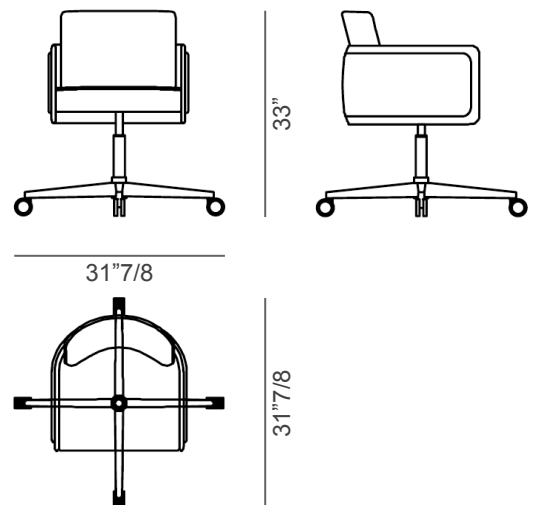


Description

Office armchair with wooden structure and padded seat and back with different density layers, covered in fabric or leather. An optional layer covered in fabric or leather with quilted finish can be added on the external back. Height adjustable 4-spoke base with wheels, available in various metallic finishes. Made in Italy.

Dimensions

31"7/8W x 31"7/8D x 33"H



* For more specifications, please refer to the "Finishes & Materials" PDF