

## Amet

*Design: Emanuele Missaglia*

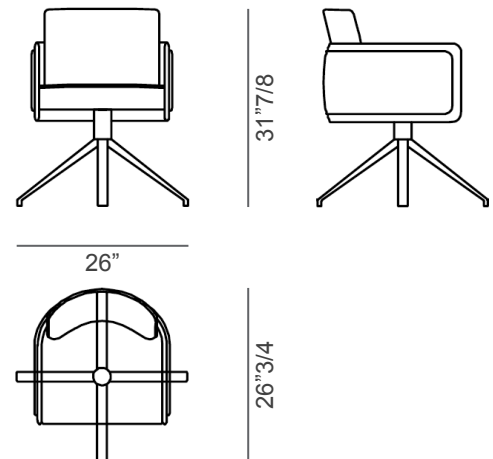


### *Description*

Office armchair with wooden structure and padded seat and back with different density layers, covered in fabric or leather. An optional layer covered in fabric or leather with quilted finish can be added on the external back. 4-spoke raised fixed base, available in various metallic finishes. Made in Italy.

### *Dimensions*

26"W x 26"3/4D x 31"7/8H



\* For more specifications, please refer to the "Finishes & Materials" PDF