

Envy



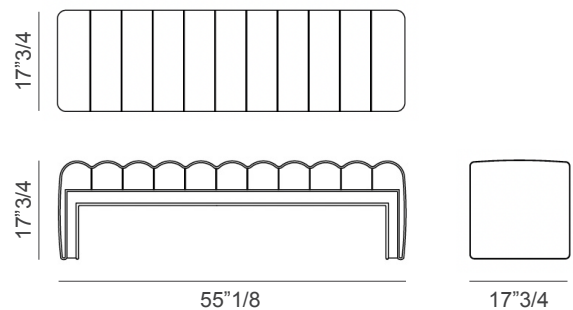
Description

Bench with solid beech wood structure with foam polyurethane with different density. Steel insert finishing in a wide range of options.

The comfortable seat can be opened and is upholstered in fabric or leather.
Made in Italy.

Dimensions

55"1/8W x 17"3/4D x 17"3/4H



* For more specifications, please refer to the "Finishes & Materials" PDF