

## Roi

*Design: Chi Wing Lo*

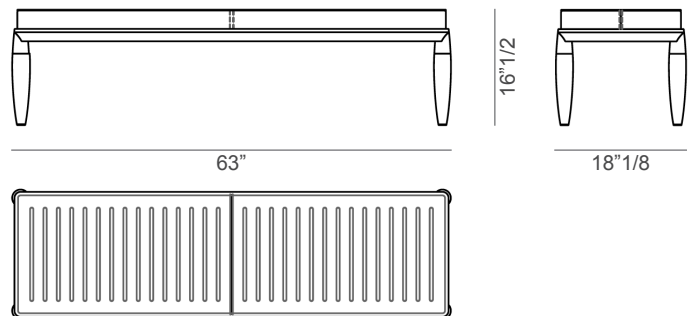


### *Description*

Bench with base in solid maple, legs in molded, brushed nickel aluminum and black nylon feet. The seat is padded with non-deformable expanded polyurethane covered with fibers. Upholstery in saddle leather, available in various shades as per collection. Made in Italy.

### *Dimensions*

63"W x 18"1/8D x 16"1/2H



\* For more specifications, please refer to the "Finishes & Materials" PDF