

Marabù

Design: Paolo Grasselli



Description

Lounge chair with structure in plywood panels and solid fir wood supports of differing thicknesses, buffers in hard or cellulose wood fiberboard panels. Backrest in hard or cellulose wood fibers panel. The seat is supported by propylene and latex elastic belts. Padded seat and backrest, with non removable covers in fabric or leather. Tubular base and central foot in transparent methacrylate. Made in Italy.



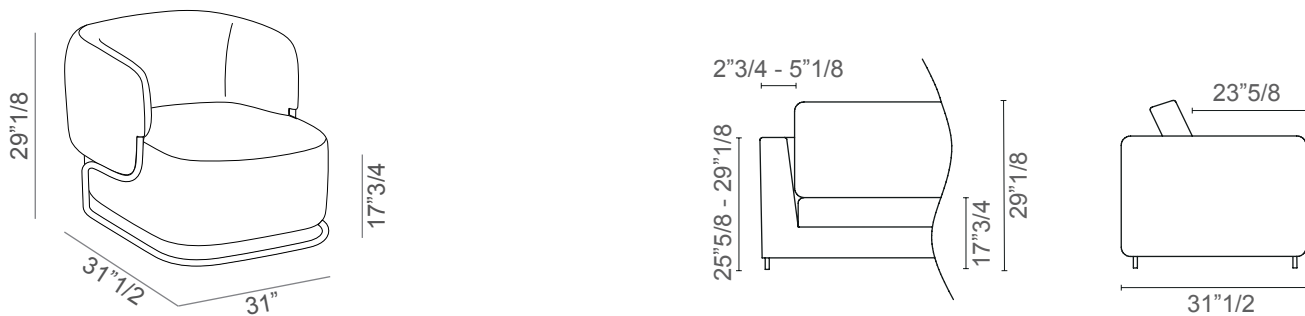
* For more specifications, please refer to the "Finishes & Materials" PDF

Marabù

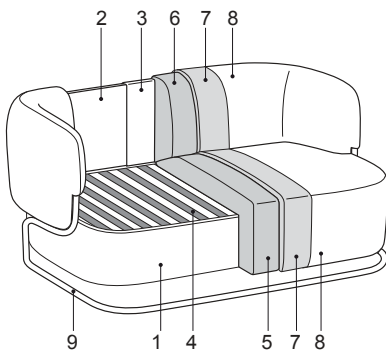
Dimensions

31"W x 31"1/2D x 29"1/8H

Seat height: 17"3/4

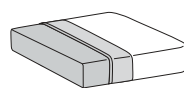


Internal composition:



- 1, 2. Wooden structure
- 4. Springing
- 5, 6, 7. Padding
- 8. Upholstery
- 9. Tubular base

Seat

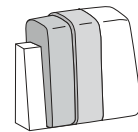


D.30/35kg/m³



Tecnoform

Backrest



D.30/35kg/m³



Tecnoform

* For more specifications, please refer to the "Finishes & Materials" PDF