

356

Design: Daniele Lo Scalzo Moscheri



Description

Armchair with backrest structure in molded curved multilayer wooden panel, seat in E1 category multilayer wooden panel. Springing with mechanically pretensioned propylene fibers and latex elastic belts. Padded seat and backrest with non removable upholstery in fabric, leather or eco-leather. Legs available in varnished metal or in solid wood. Made in Italy.



* For more specifications, please refer to the "Finishes & Materials" PDF

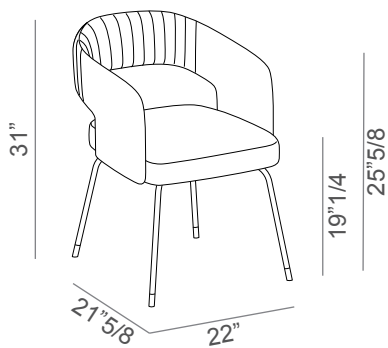
Dimensions

22"W x 21"5/8D x 31"H

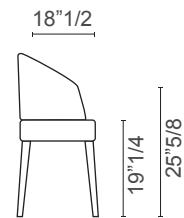
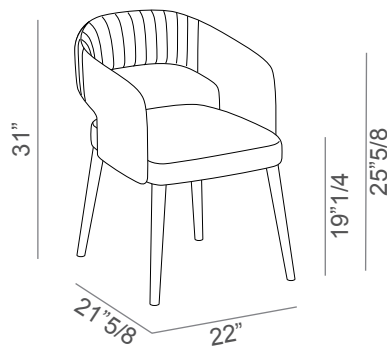
Seat height: 19"1/4

Armrest height: 25"5/8

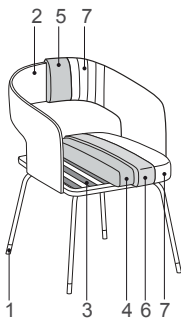
Metal legs



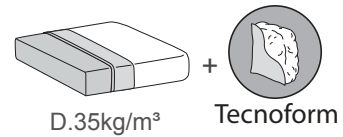
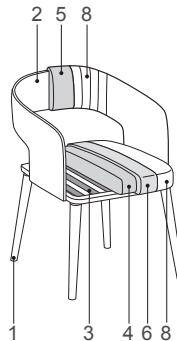
Wooden legs



Internal composition:



- 1. Legs
- 2. Structure
- 3. Springing
- 4,5,6. Padding
- 7,8. Upholstery



* For more specifications, please refer to the "Finishes & Materials" PDF