

Clip

Design: Nika Zupanc



Description

Sofa with supporting structure in plywood and pinewood, with parts in E1 class agglomeration panels or cellulose agglomeration panels. The back is made of hard or cellulose wooden fiber panels. Seat with pre-tensioned crossed propylene fibers and latex elastic webbing. Padded seat and backrest with non removable upholstery in fabric or leather. Available with standard black feet or lacquered plinth base. Made in Italy.



* For more specifications, please refer to the "Finishes & Materials" PDF

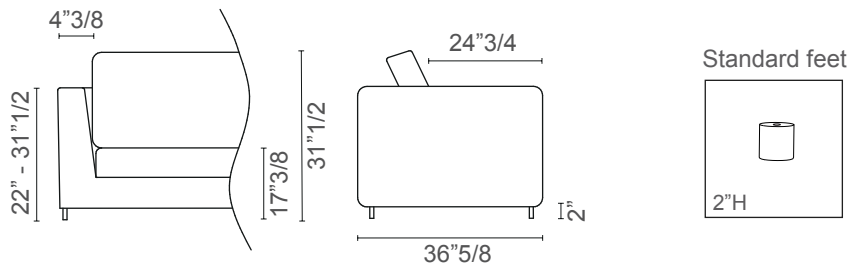
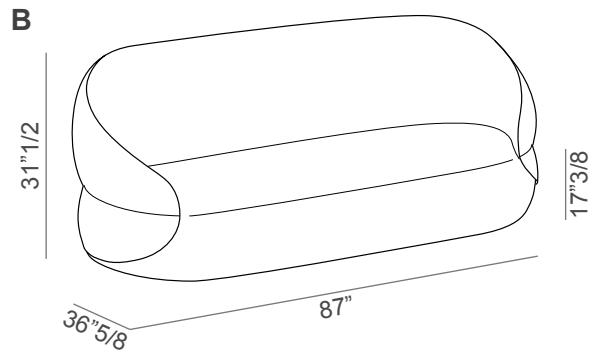
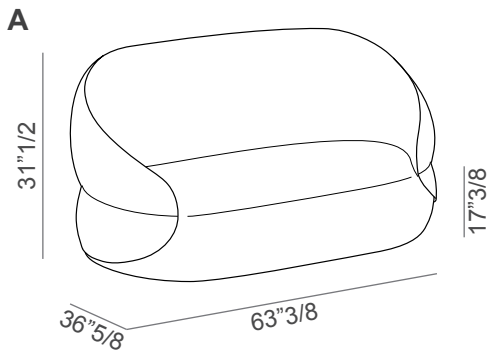
Clip

Dimensions

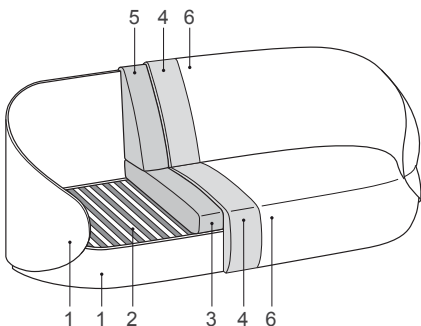
A: 63"3/8W x 36"5/8D x 31"1/2H

B: 87"W x 36"5/8D x 31"1/2H

Seat height: 17"3/8

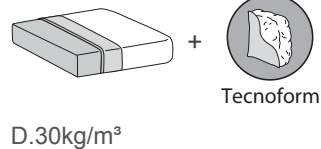


Internal composition:

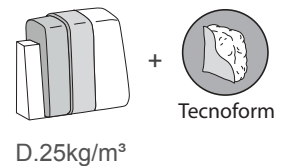


1. Structure
2. Springing
- 3, 4, 5. Padding
6. Upholstery

Seat



Backrest



* For more specifications, please refer to the "Finishes & Materials" PDF