

Bravery

Design: Ben Wu



The image corresponds to Composition 5

Description

Sectional with wood structure with high-resistance elastic bands, covered in multi thickness polyurethane foam. The seat cushions are in medium/firm multi thickness polyurethane foam, with a final layer in Memory Foam, covered in 100% polyester fiber bonded with cotton blend cloth. The backrest cushions are in medium/soft multi thickness polyurethane foam covered in sterilized goose down.

A characteristic metal “shell” insert is at the base of each armrest, available in a wide range of finishes. As a supplement, a metal utility shelf (coordinated with the insert on the base) is available with a shaped marble, bronze or smoke mirror top.

Given the special manufacturing process, the structure upholstery in leather or fabric/velvet is NOT removable, but the seat cushion upholstery can be removed easily. Decorative cushions available upon request. Made in Italy.

* For more specifications, please refer to the “Finishes & Materials” PDF

Bravery

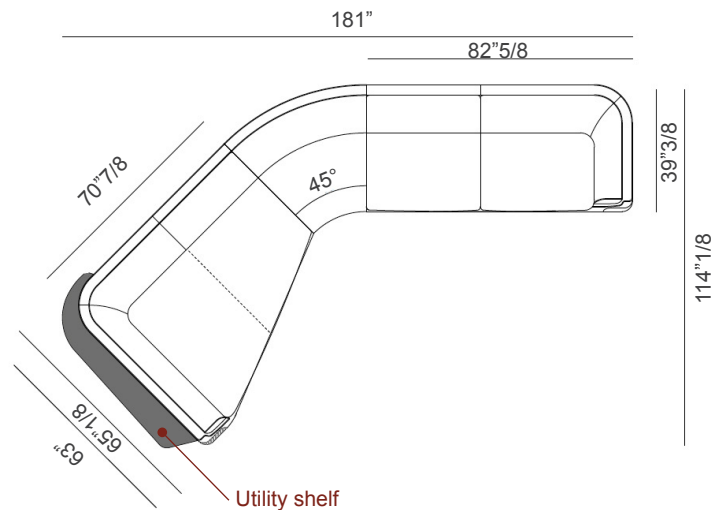
Compositions

Composition 1

181"W x 114"1/8D x 31"1/2H

Seat height: 17"3/4

- . 1 x End unit two-color finish P.3 + Cat.D right.
- . 1 x Curved unit two-color finish P.3 + Cat.D.
- . 1 x Double depth peninsula P.3 leather left.
- . 1 x Utility shelf White Carrara marble.

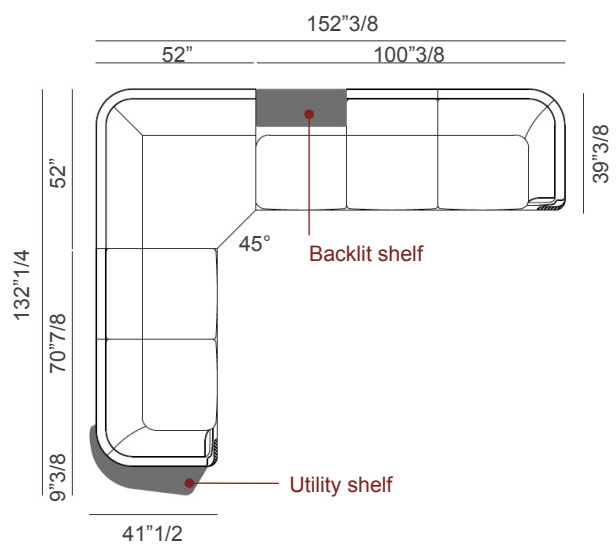


Composition 2

152"3/8W x 132"1/4D x 31"1/2H

Seat height: 17"3/4

- . 1 x End unit two-color finish P.3 + Cat.D with shelf in Patagonia marble left.
- . 1 x Open corner two-color finish P.3 + Cat.D.
- . 1 x End unit with low back unit two-color finish P.3 right + Cat.D with backlit shelf in Patagonia marble.



* For more specifications, please refer to the "Finishes & Materials" PDF

Bravery

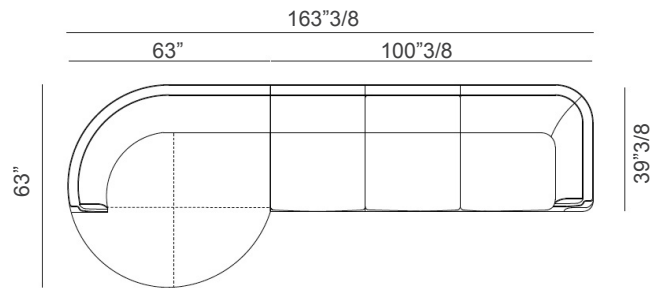
Compositions (cont.)

Composition 3

163³/₈W x 63"D x 31¹/₂H

Seat height: 17³/₄

- . 1 x End unit right.
- . 1 x Round peninsula left.

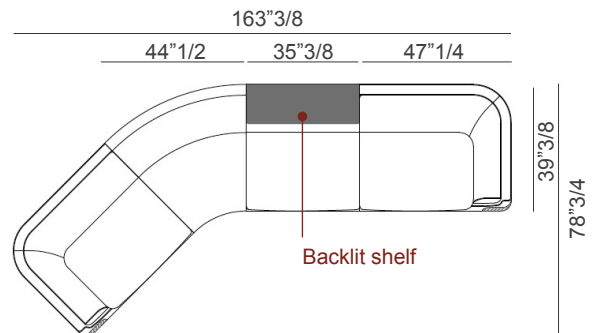


Composition 4

163³/₈W x 78³/₄D x 31¹/₂H

Seat height: 17³/₄

- . 1 x End unit left.
- . 1 x Curved unit.
- . 1 x Low back unit with backlit shelfin Patagonia marble.
- . 1 x End unit right.

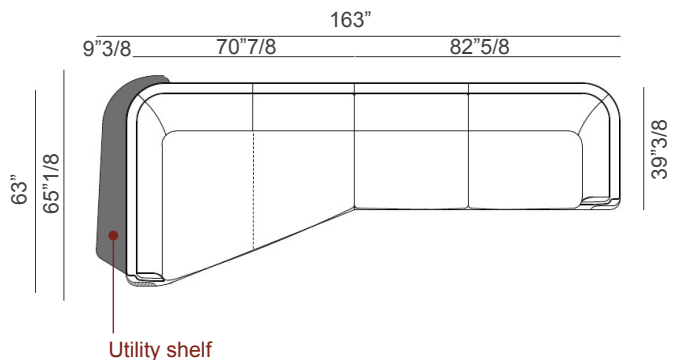


Composition 5

163"W x 65¹/₈D x 31¹/₂H

Seat height: 17³/₄

- . 1 x End unit two-color finish P.6 + Cat.D right.
- . 1 x Double depth peninsula P.6 leather left.
- . 1 x Utility shelf White Carrara marble.



* For more specifications, please refer to the "Finishes & Materials" PDF

Bravery

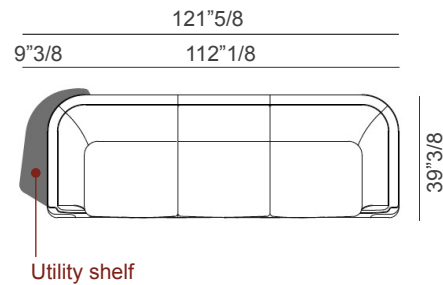
Compositions (cont.)

Composition 6

121"5/8W x 39"3/8D x 31"1/2H

Seat height: 17"3/4

- . 1 x Sofa.
- . 1 x Utility shelf White Carrara marble.

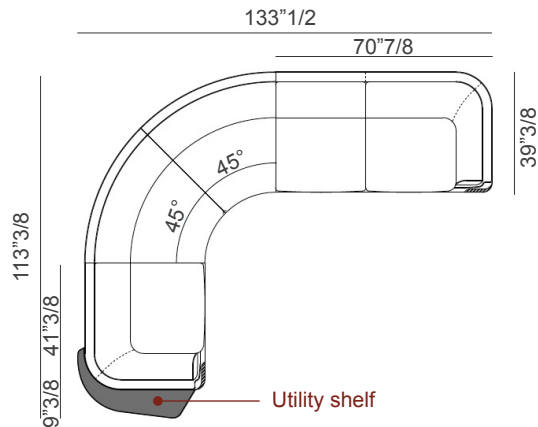


Composition 7

133"1/2W x 113"3/8D x 31"1/2H

Seat height: 17"3/4

- . 1 x End unit right.
- . 2 x Curved unit.
- . 1 x End unit left.
- . 1 x Utility shelf Dover White marble.

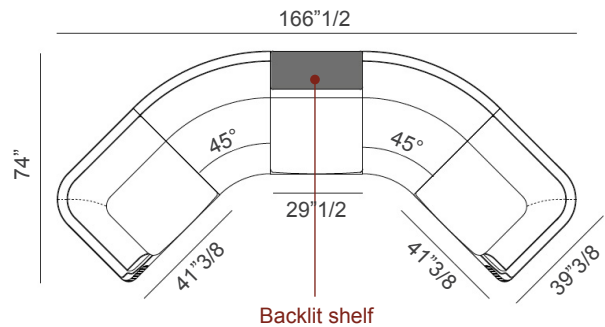


Composition 8

166"1/2W x 74"D x 31"1/2H

Seat height: 17"3/4

- . 1 x End unit left.
- . 1 x End unit right.
- . 2 x Curved unit.
- . 1 x Low back unit with backlit shelf in Patagonia marble.

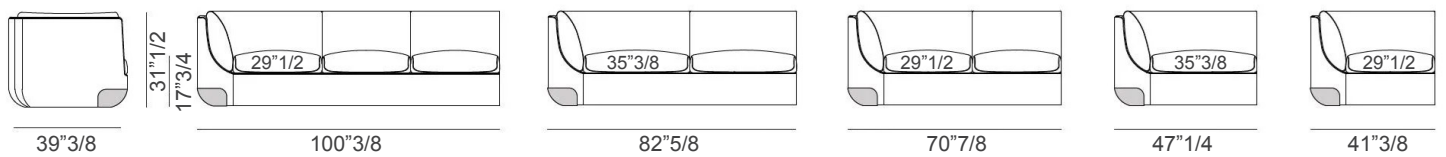


* For more specifications, please refer to the "Finishes & Materials" PDF

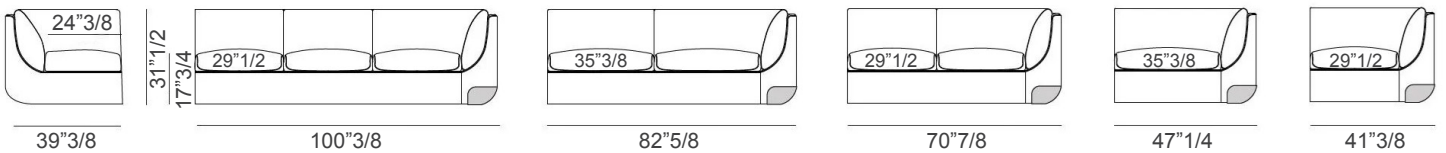
Bravery

Elements

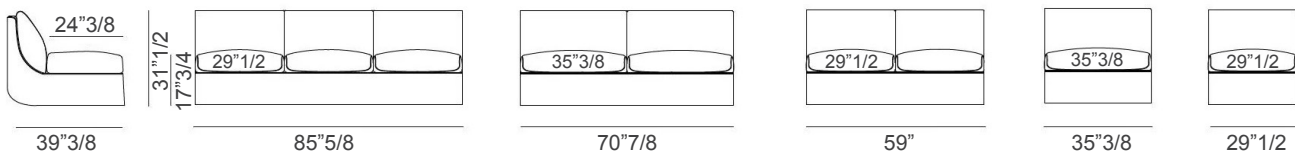
End unit left



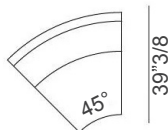
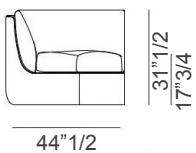
End unit right



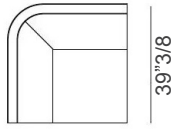
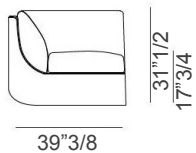
Central unit



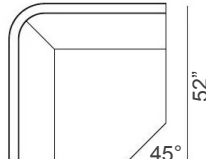
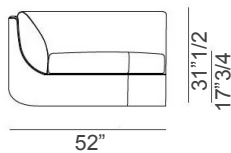
Curved unit



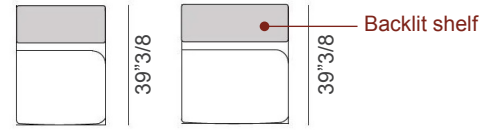
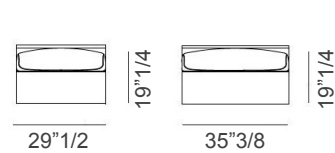
Corner



Open corner



Low back unit

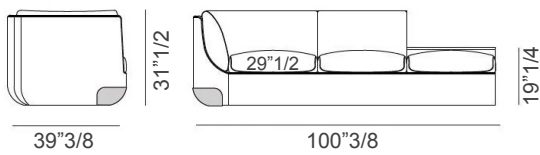


* For more specifications, please refer to the "Finishes & Materials" PDF

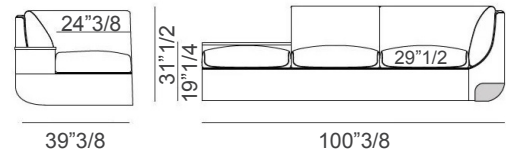
Bravery

Elements (cont.)

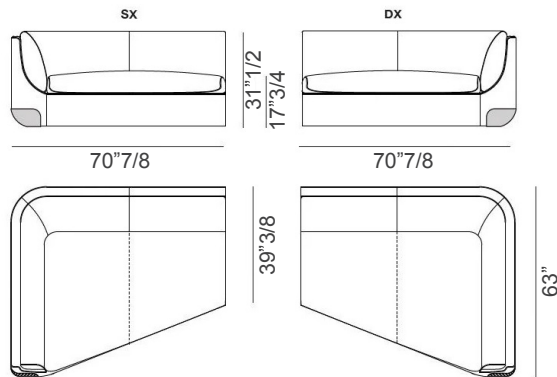
Left end unit with low back unit



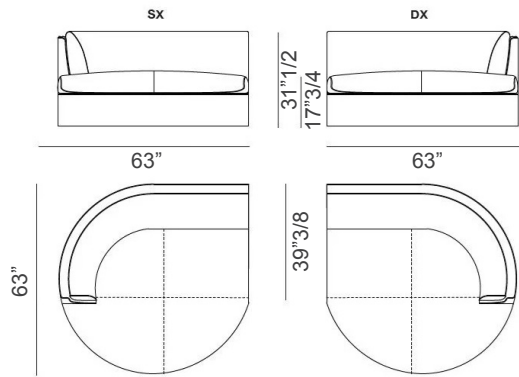
Right end unit with low back unit



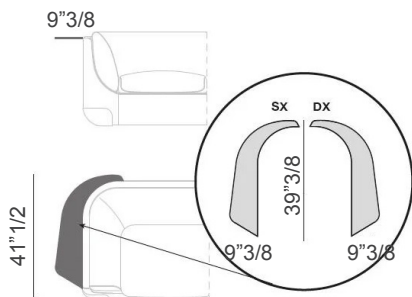
Double depth peninsula



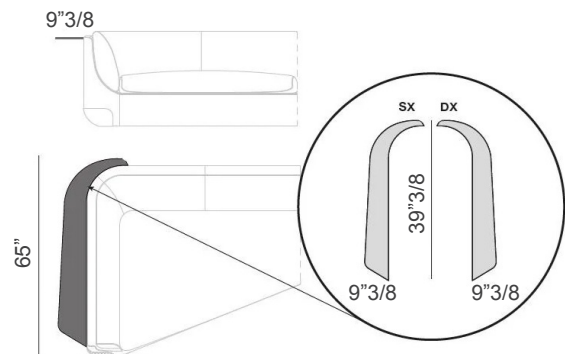
Round peninsula



Shelf



Shelf



* For more specifications, please refer to the "Finishes & Materials" PDF