

Grand More

Design: Estel R&D



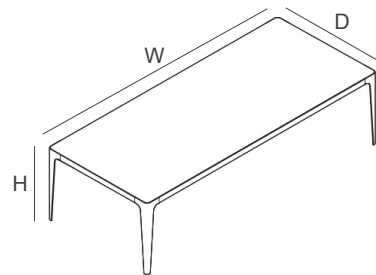
Description

Fixed table with legs and top characterized by rounded profiles which are $2\frac{3}{8}$ width (instead of $1\frac{3}{4}$). The legs taper downwards, reducing the angle of the top's rounded frame.

The legs are offered in black epoxy or metal standard and the top, flush with the structure, is available with a matt lacquered, wood, glossy marble effect, back-lacquered satin glass or ceramic finish.
Made in Italy.

Dimensions

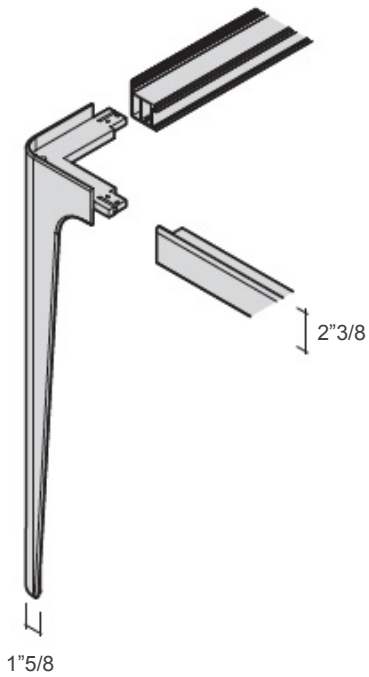
- A) $78\frac{3}{4}W \times 35\frac{3}{8}D \times 29\frac{1}{8}H$
- B) $94\frac{1}{2}W \times 39\frac{3}{8}D \times 29\frac{1}{8}H$
- C) $110\frac{1}{4}W \times 43\frac{1}{4}D \times 29\frac{1}{8}H$
- D) $126\frac{1}{4}W \times 47\frac{1}{4}D \times 29\frac{1}{8}H$



For more specifications, please refer to the "Finishes & Materials" PDF

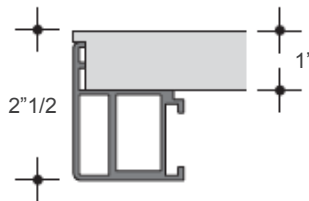
Grand More

LEG DETAILS

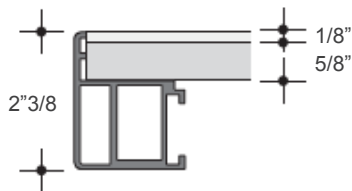


TOP SECTION

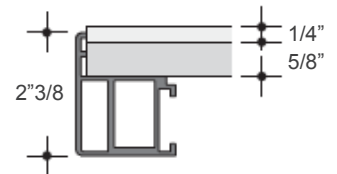
Lacquered wood / Marble effect



Back Lacquered Satin Glass



Ceramic



For more specifications, please refer to the "Finishes & Materials" PDF