

Bali

Design: Plus Design Studio



Description

Sofa available in two sizes. Differentiated density polyurethane foam padding combined with a multilayer wooden structure and seats with pocket steel springs to ensure maximum comfort and adequate lumbar support. Removable cover in fabric and fixed in leather. Peltro painted legs. 15"3/4 x 15"3/4 decorative cushions offered upon request. Made in Italy.

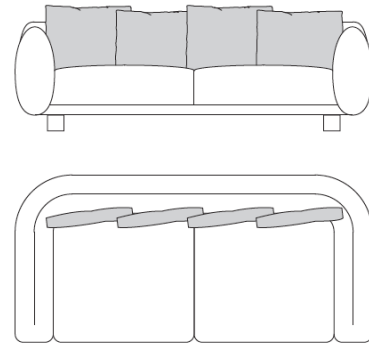
FEATURES:

Structure: fir wood and poplar plywood. / **Structure padding:** variable-density polyurethane foam covered with 100 gr resin-coated polyester fiber interliner. / **Seat cushion padding:** polyurethane foam in different densities with pocket spring system covered with memory foam and 100 gr resin velvet in polyester fiber. / **Back cushion padding:** internal insert in polyurethane foam covered with top quality goose down divided into compartments: washed, sanitized and sterilized. / **Decorative cushion padding:** top quality goose down divided into compartments: washed, sanitized and sterilized.

* For more specifications, please refer to the "Finishes & Materials" PDF

Bali

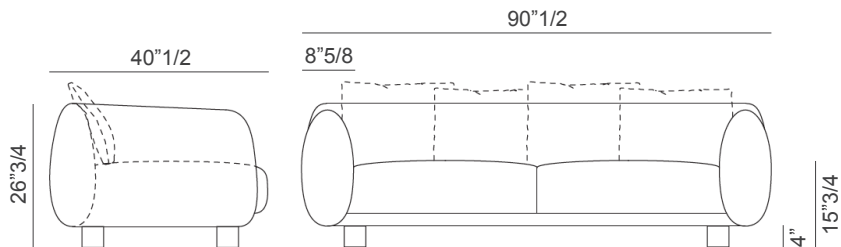
Note: for this sofa, 25"5/8 x 25"5/8 back cushions are recommended, which increase seating comfort and have the characteristic of overlapping one another. Each item shows the exact number of recommended pillows. It is possible to choose the cushions in a different color or fabric / leather from the sofa.



Dimensions

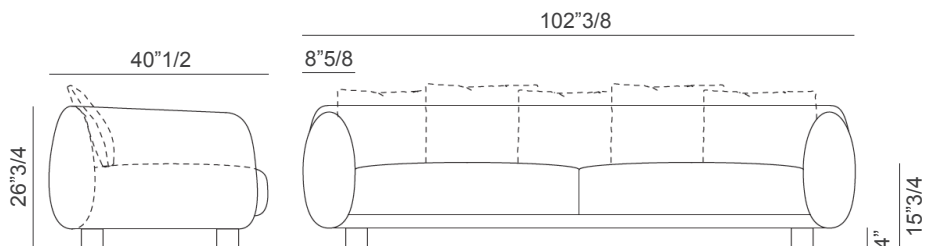
A) 90"1/2W x 40"1/2D x 26"3/4H
Seat height: 15"3/4

4 back cushions recommended



B) 102"3/8W x 40"1/2D x 26"3/4H
Seat height: 15"3/4

5 back cushions recommended



* For more specifications, please refer to the "Finishes & Materials" PDF