

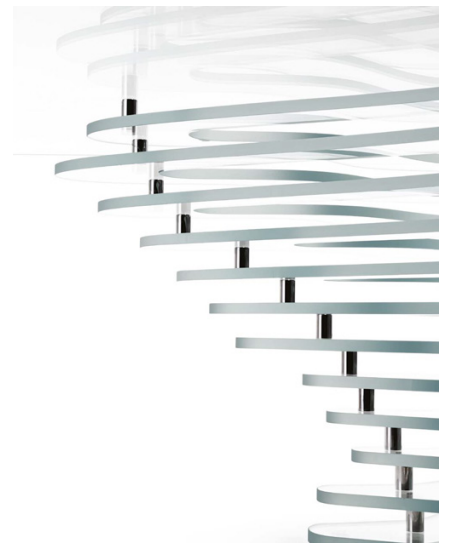
Dune

Design: Riccardo Lucatello



Description

Dining table with base composed of 3/4" thick extra-clear glass layers with joints in shiny steel. Rectangular top in 5/8" thick extra-clear glass with polished edges or square-round top in 5/8" thick extra-clear glass with 45° bevel. Made in Italy.



* For more specifications, please refer to the "Finishes & Materials" PDF

Dune

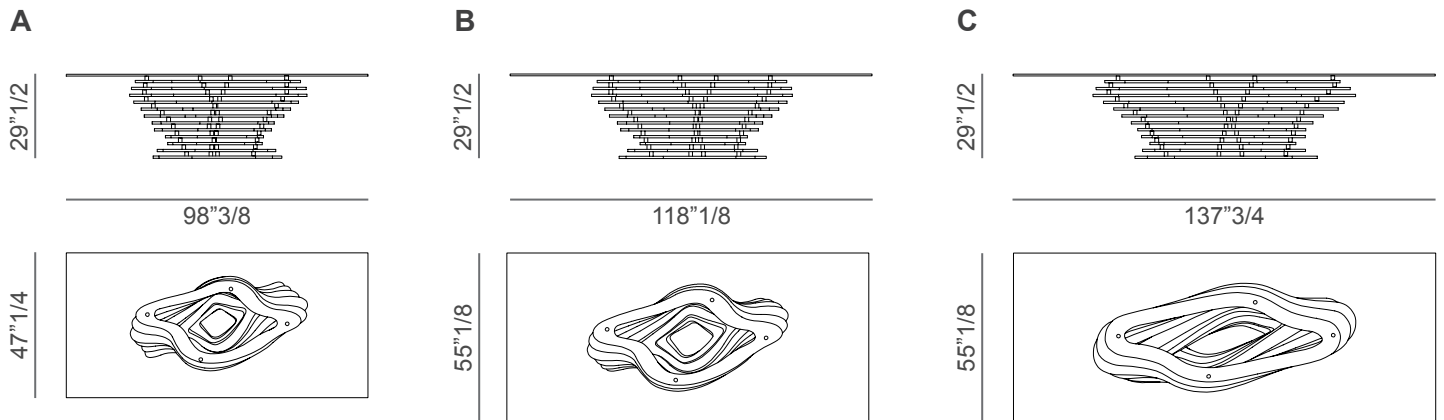
Dimensions

Rectangular top, polished edges

A: 98"3/8W x 47"1/4D x 29"1/8H

B: 118"1/8W x 55"1/8D x 29"1/8H

C: 137"3/4W x 55"1/8D x 29"1/8H

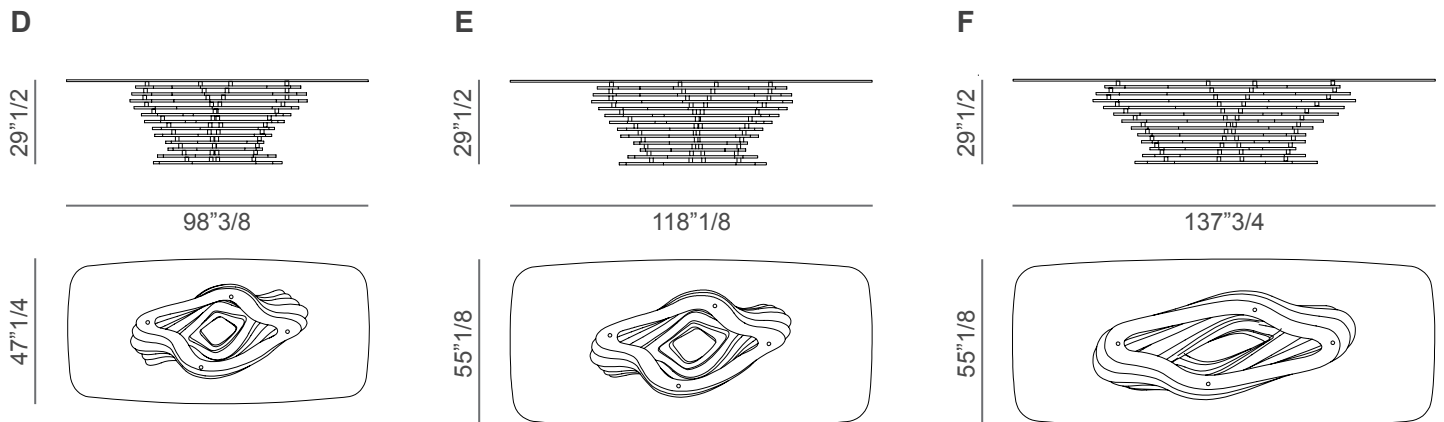


Square-round top, 45° bevel

D: 98"3/8W x 47"1/4D x 29"1/8H

E: 118"1/8W x 55"1/8D x 29"1/8H

F: 137"3/4W x 55"1/8D x 29"1/8H



* For more specifications, please refer to the "Finishes & Materials" PDF