

Back Pack

Design: Giuseppe Viganò



Description

Sectional with internal structure in wood. Seat and backrest padded with multi-density expanded polyurethane foam and covered with synthetic lining. Back cushions filled with goose feathers and polyester fibers, covered with 100% down proof gabardine cotton. Roll cushion in expanded polyurethane covered with coupled synthetic lining. Covers in fabrics or leathers as per collection or customer's own material. 1"1/8 high plastic feet for the seat and 5/8" high varnished metal feet for the backrest. Side table veneered in zebrano or eucalyptus wood. Made in Italy.



* For more specifications, please refer to the "Finishes & Materials" PDF

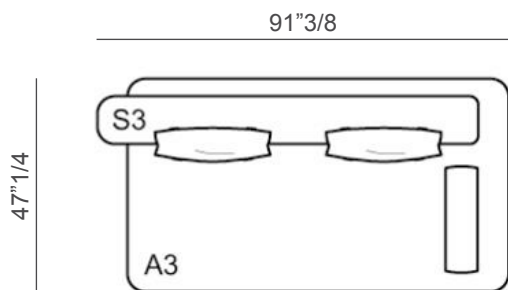
Back Pack

Suggested compositions

Composition 1

91"3/8W x 47"1/4D x 26"H

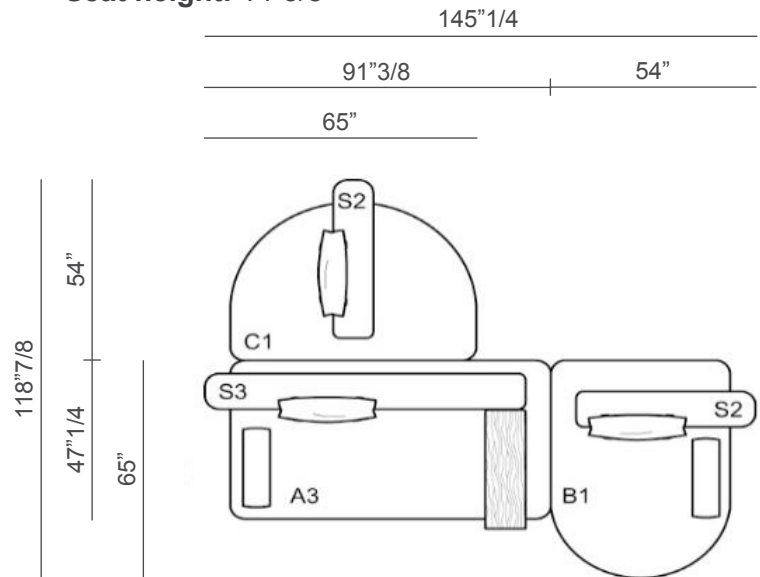
Seat height: 14"5/8



Composition 3

145"1/4W x 118"7/8D x 26"H

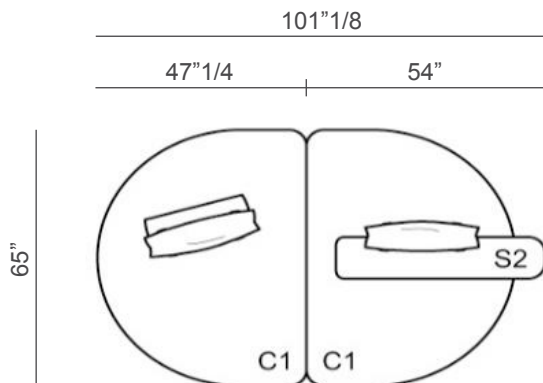
Seat height: 14"5/8



Composition 2

101"1/8W x 65"D x 26"H

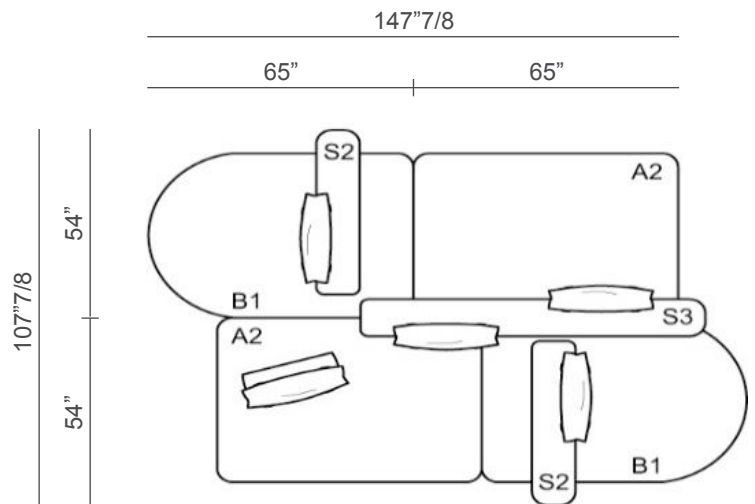
Seat height: 14"5/8



Composition 4

147"7/8W x 107"7/8D x 26"H

Seat height: 14"5/8

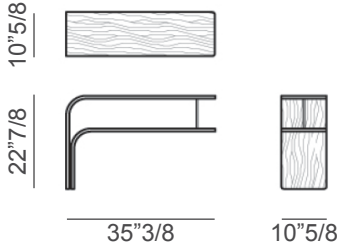


* For more specifications, please refer to the "Finishes & Materials" PDF

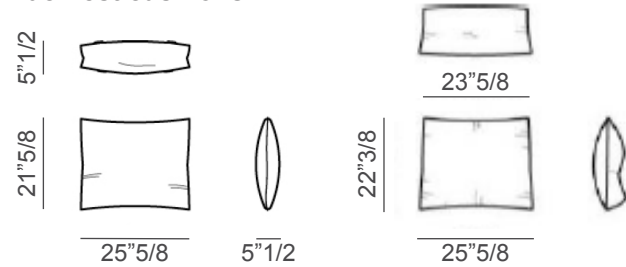
Back Pack

Accessories

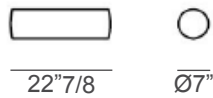
Side table



Backrest cushions



Roll cushion



* For more specifications, please refer to the "Finishes & Materials" PDF