

Bond

Design: Bruno Rainaldi



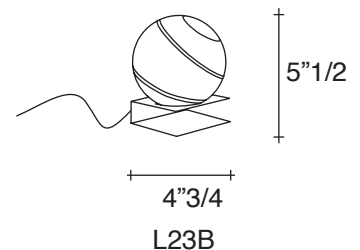
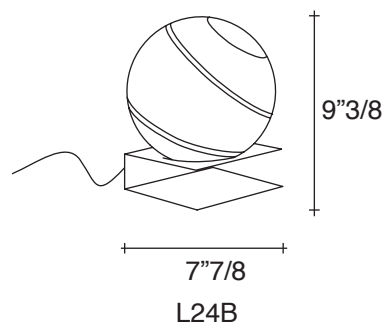
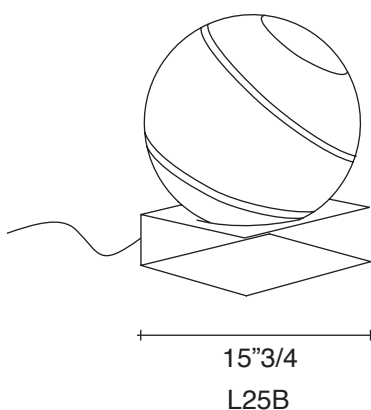
Description

Table lamp
Bond's bands of light expose a deceptively luxurious interior. Under the glass exterior, lays a core of gold leaf that creates a deep, complex radiance. The overall glow is intensified by incisions that emit focused, dramatic lines of light. Extremely versatile, Bond is available in three sizes, as either a pendant or a table/floor light, and with a black or white exterior. Whether alone or grouped together, Bond's light creates a dynamic atmosphere.

Dimensions

Ø 15"3/4 x 17"3/4H
Ø 7"7/8 x 9"3/8H
Ø 4"3/4 x 5"1/2H

Light Source:



Finishes and materials

Structure in glass:

Nickel Black / Gold		0L24B H7 F1
Nickel White / Gold		0L24B H7 F2

(For more specifications, please refer to "Finishes & Materials")