

Cloth

Design: Romani Saccani Architetti



Description

The Cloth table lamp has a blown glass lampshade in metallic or matt white colors, that seems to turn into pleated fabric, making this collection a real eye catcher. The metallic version stands out for the way it looks turned off compared to the soft beige glow it displays when turned on. Metal base in chrome finish. Made in Italy.

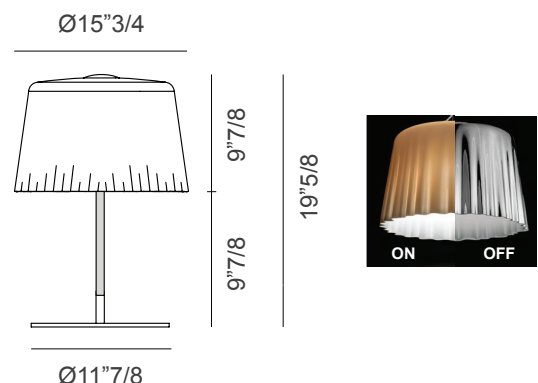
Light source

E26 3 x 60W.

Dimmable lamp. Dimmer included (DIM 4).

Dimensions

Cloth LT G: Ø15"3/4 x 19"5/8H



Finishes and materials

Base and metal parts: Glossy Chrome (CR).

Lampshade: Matt White (BC/ST) or White Metallized (BC/CM) glass.

(For more specifications, please refer to "Finishes & Materials")