

Assiba

Design: Mauro Olivieri



Description

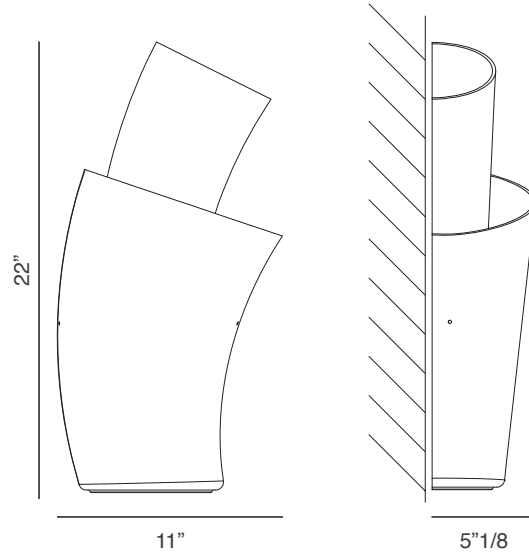
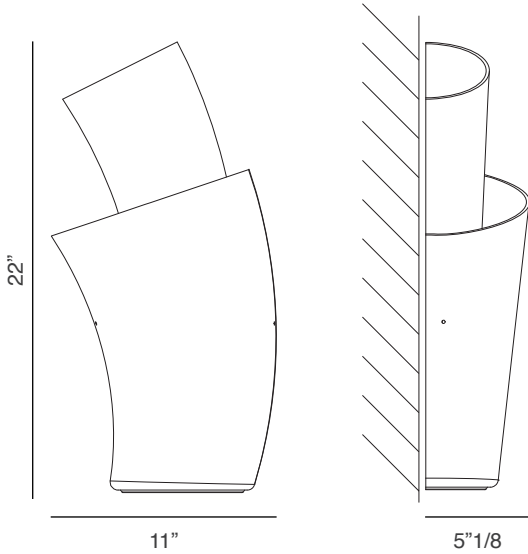
The Assiba wall lamp belongs to a collection inspired by the ocean for its colors, shape and texture. Diffusers in glossy blown-glass in various colors and combinations: white, crystal, alexandrite and amethyst. The diffusers may be arranged in different positions. Details in chrome metal.

Finishes and materials

Details: Chrome metal.

Diffuser: Glossy blown-glass, colors: white, crystal, multicolor, alexandrite, amethyst and transparent.

(For more specifications, please refer to "Finishes & Materials")



Assiba AP SX Wall Lamp:

11"W x 5"1/8D x 22"H

1x77W E26



Assiba AP DX Wall Lamp:

11"W x 5"1/8D x 22"H

1x77W E26

