

Kushi

Design: Alberto Saggia & Valerio Sommella



Description

The Kushi table lamp has a white diffuser/body made of two layers of mouth-blown glass. The liquid-varnished metallic structure is available in black, copper or brass. Black rubber base.

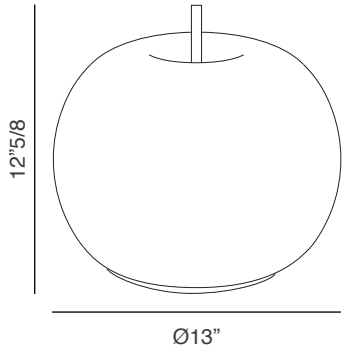
Finishes and materials

Diffuser/Body: Two layers of mouth-blown glass in white.

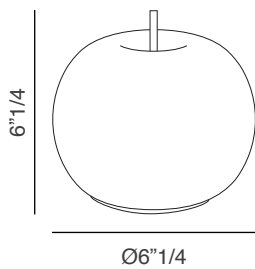
Structure: Metal: liquid-varnished in black, copper or brass.

Base: Black rubber.

(For more specifications, please refer to "Finishes & Materials")



Kushi Table Lamp 33: Ø13" x 12"5/8H



Kushi Table Lamp 16: Ø6"1/4 x 6"1/4H

Specifications:

230V
or
120V Feeding



Bulbs:
Kushi 33
 1 x 30W E27 (E26 US) - Fluorescent
 or 1 x 16W E27 (E26 US) - Led
Kushi 33 LED
 1 x 25W - 2700 K - 2500 lm - CRI>80 - Board led
Kushi 16
 1 x 5,5W - 2700 K - 600 lm - CRI>80 - Board led



Kushi 33
 Energy efficiency class A+ to E
Kushi 33 LED & Kushi 16
 Energy efficiency class A+



Table lamp



Transparent cord set
 EU, USA or UK plug



Kushi 33 & Kushi 16
 Transparent loose switch
Kushi 33 LED
 Electronic loose dimmer 0/100% - transparent