

Disk

Design: Roberto Paoli



Description

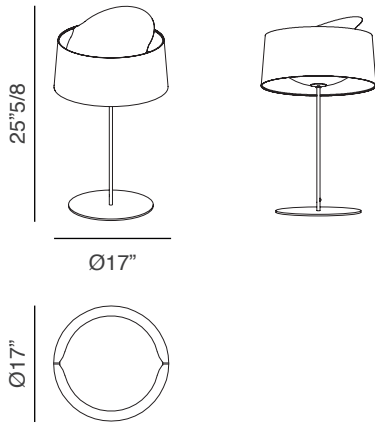
The Disk table lamp has a lampshade in cotton or washable fabric. White or black lacquered metal structure with rotating and obscuring metal disc cover, placed on the upper border of the shade. Anti-dazzle thermoformed bottom cap in opal PMMA. Made in Italy.

Finishes and materials

Structure: White or black lacquered metal.

Lampshade: Cotton fabric or washable fabric.

(For more specifications, please refer to "Finishes & Materials")



Disk Table Lamp: Ø17" x 25"5/8H

Light source:

A: 1 x E26 - 70W HES

B: 2 x E26 - 70W HES

Accessory available: Universal Dim switch HES (40/160W) + LED (4/100W)

INDOOR IP 20



* on demand