

Portofino

Design: Studio Balutto Associati - Santiago Sevillano

Description

Rectangular dining table with stainless steel base powder coated.

HPL top corten finish.



Dimensions:

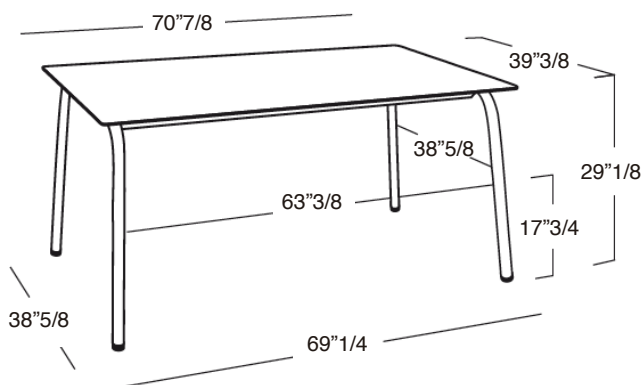
Portofino Table 9775: 70"7/8W x 39"3/8D x 29"1/8H

Portofino Table 9776: 86"5/8W x 43"1/4D x 29"1/8H

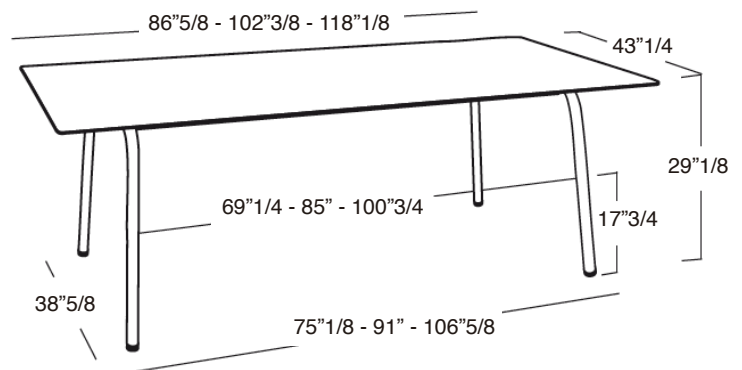
Portofino Table 9777: 102"3/8W x 43"1/4D x 29"1/8H

Portofino Table 9778: 118"1/8W x 43"1/4D x 29"1/8H

Portofino Table 9775

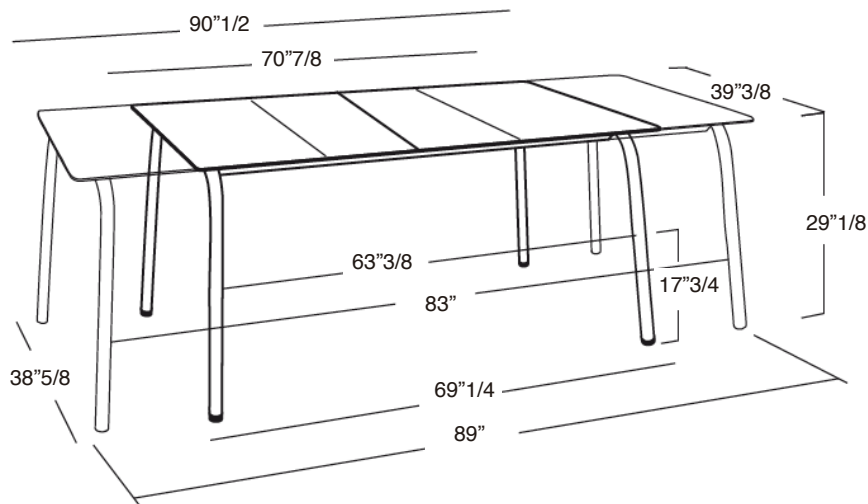


Portofino Table 9776 / 77 / 78



Extendable version:

Portofino Table 9779: 70"7/8W x 39"3/8D x 29"1/8H to 90"1/2W x 39"3/8D x 29"1/8H



Finishes and materials

Base: Stainless steel powder coated.

Top: HPL corten finish.

(For more specifications, please refer to "Finishes & Materials")