

## Coral Reef

*Design: Santiago Sevillano*



### *Description*

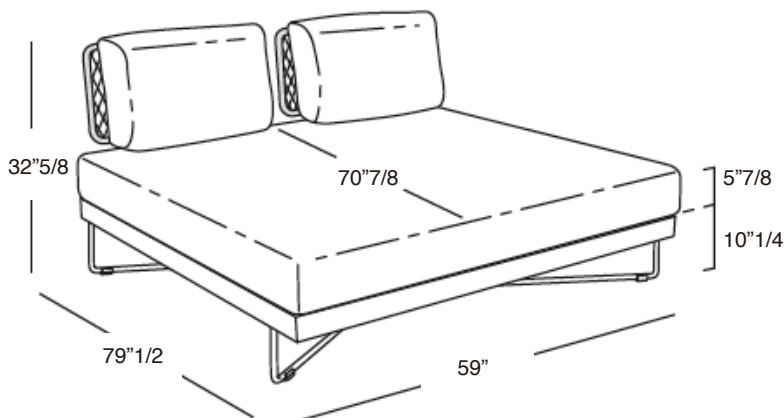
Double sun lounger with white or terra lacquered aluminium frame and steel legs.

Back in aluminium or oval sunloom.

Seat cushion in standard or outdoor fabric.

### *Dimensions:*

59"W x 79"1/2D x 32"5/8H - **Seat Height: 16"1/8**



### *Finishes and materials*

**Back:** White or Terra oval sunloom or aluminium .

**Structure:** White or Terra lacquered aluminium .

**Cushion:** Standard or outdoor fabric.

*(For more specifications, please refer to "Finishes & Materials")*