

Gravity

Design: Technical Emotions



Description

Hanging Lounge Chair with structure in powder coated 304 stainless steel and nautical rope. Seat and backrest cushions in outdoor fabrics as per collection. Weight capacity: 662 pounds. Made in Italy.

Dimensions

Ø52"3/8 x 93"5/8H

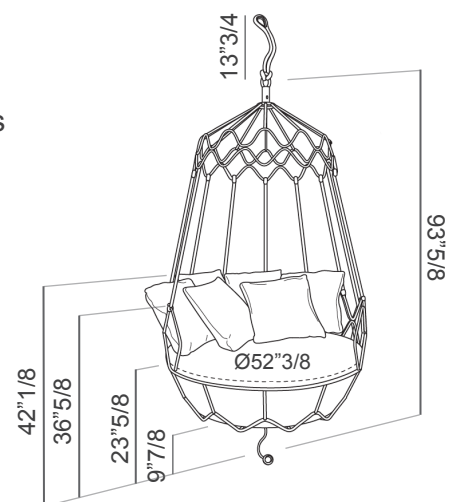
Seat Height: 23"5/8

Backrest Cushions: 21"5/8 x 21"5/8

Finishes and materials

Structure: Powder coated 304 steel in Champagne or Graphite color and nautical rope in Sand or Black color.

Cushions Cover: Fabric, Cat. A1 or Cat. B1



Loose nautical rope is available to complete the hanging/fastening of the lounge chair.

(For more specifications, please refer to "Finishes & Materials")