

# Jonathan 30

*Design: Paolo Nava*

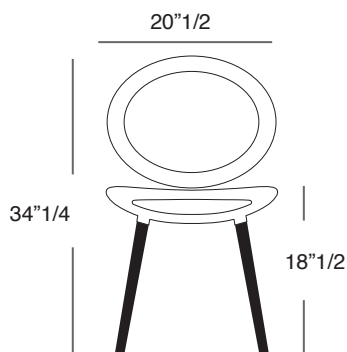


## *Description*

Chair with oak or walnut frame.  
Shell in low density integral polyurethane "Soft Touch".

## *Dimensions*

20"1/2W x 20"1/2D x 34"1/4H - **Seat Height: 18"1/2**



\*Depth: 20"1/2

## *Finishes and materials*

**Frame:** Oak or Walnut.

**Shell:** Polyurethane in standard colours.

*(For more specifications, please refer to "Finishes & Materials")*