

Bunker

Design: Alternativastandard

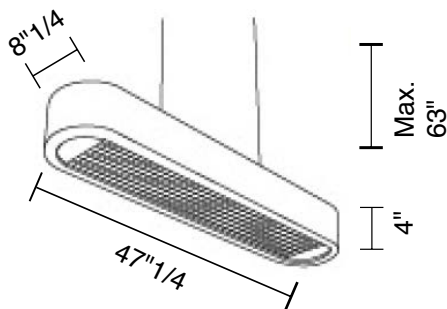


Description

Suspension lamp made of natural or black maple. Components in chrome-plated metal. Swarovski crystal.

Dimensions

47"1/4W x 8"1/4D x 4"H



Light Bulb:
Max 6x33W G9 230V

Finishes and materials

Maple natural or black finish wood.
Chrome metal fittings.
Swarovski crystals