

Bulles XL

Table lamp



Description

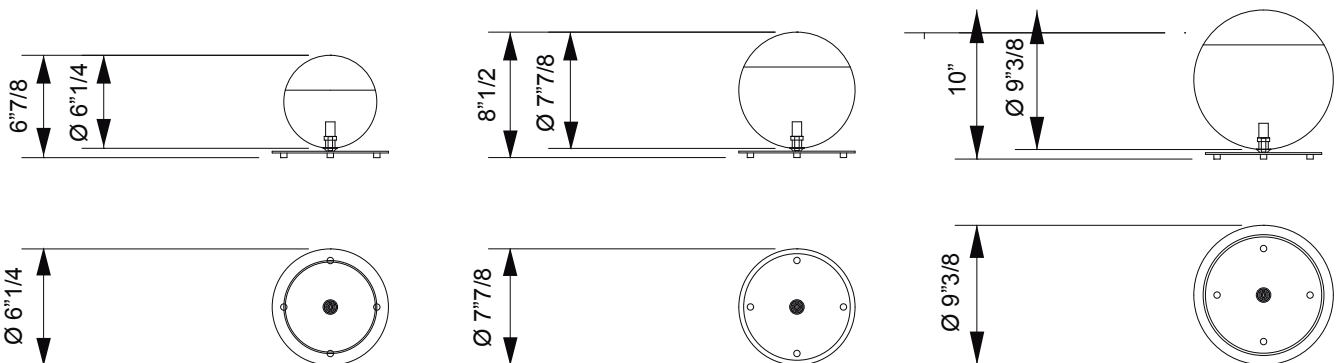
Table lamp with structure in glazed steel. 'Light filter' sphere in borosilicate glass in silver, copper, bronze or gold finishing. LED lighting. (5W G9 3000K)

Dimensions

Ø 9"3/8 x 10"H

Ø 7"7/8 x 8"1/2H

Ø 6"1/4 x 6"7/8H



Finishes and materials

Structure: Glazed steel

Light filter: borosilicate glass in silver, copper, bronze or gold finish

(For more specifications, please refer to "Finishes & Materials")