

## Auto-Reverse

*Design: Giuseppe Viganò*



### *Description*

The Auto-reverse sofa, versatile with a strong personality, derives from the idea of expressing a double soul in the living area. Its apparent casual and untidy look is in contrast with the order and extreme care for the details that obtain an object with a sharp style and of high quality. The thin structure, elegant and discreet, enwraps and contains the seat cushions, the back and the arms, emphasized by flounces all around the perimeter which grant a definite movement to the line and add a tactile and visual softness to the sofa. The important zip, applied to the four sides of the cushions, fastens the two-sided cover, one in leather and one in fabric, giving rigour to the sofa and underlining its peculiar design. The result is a sofa in which the softness and warmth of the fabric coexists with the elegance of leather. A peculiar mix of materials to create different chromatic combinations and sophisticated matches. The structure seems to float above the ground thanks to the thin, minimal feet made of square section metal.

### *Finishes and materials*

**Structure:** Metal.

**Seat Height:** 17". **Armrest Height:** 29" 1/8.

**Covers:** seat and back cushions are reversible and they can be covered with different fabrics and/or leathers. The cover of the structure is always in the same fabric or leather of one side of the cushions.

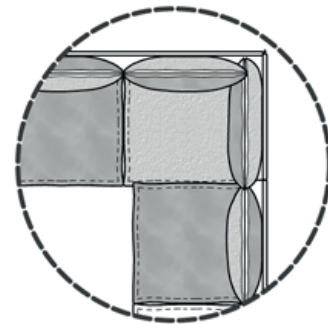
**Feet:** Metal: micaceous brown, titanium or brass, 6"5/8H

**Springing:** Elastic belts.

**Zips:** available in the following colours: white (100), cream white (101), mustard (102), beige (103), green (104), brown (105), dark brown (106), burgundy (107), purple (108), light grey (109), dark grey (110), sand beige (111), olive grey (112), slate grey (113), light blue grey (114) and aquamarine blue (115).

*(For more specifications, please refer to "Finishes & Materials")*

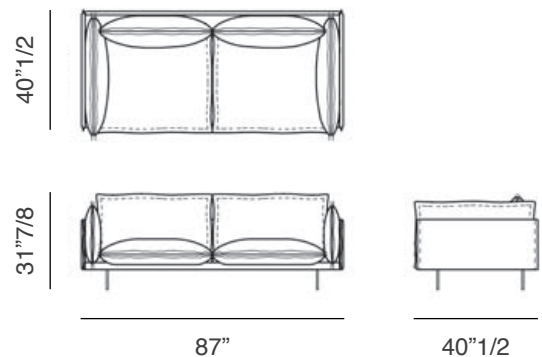
**The use as corner unit of the 87"W and 124"3/8W sofas and of the 81" lateral unit is not recommended because the cut of the seat does not coincide with the corner by about 2"3/4.**



6109003-right corner 6109007-left corner 6109008

Kg=70,0 - m<sup>3</sup>=1,26

Auto-Reverse Sofa 1: 87"W x 40"1/2D x 31"7/8H



Sofa, back cushions 37"3/8

Fabric requirement side A m. 10,8

Fabric requirement side B m. 6,8

6109004-right corner 6109009-left corner 6109010

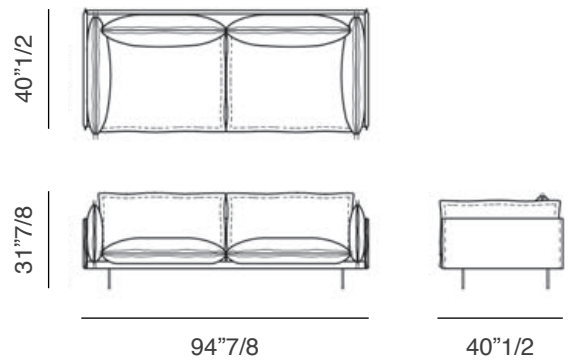
Kg=91,0 - m<sup>3</sup>=1,43

Auto-Reverse Sofa 2: 94"7/8W x 40"1/2D x 31"7/8H

Sofa, back cushions 41"3/8

Fabric requirement side A m. 11,2

Fabric requirement side B m. 7,2



6109005-right corner 6109015-left corner 6109016

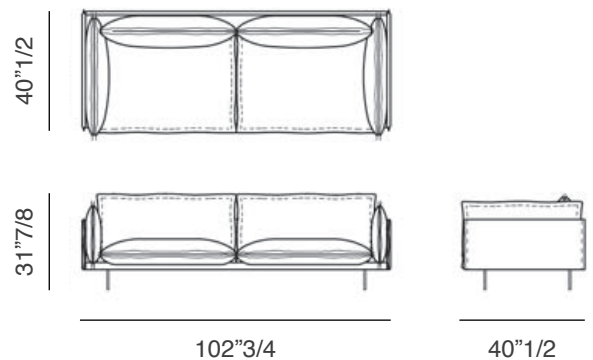
Kg=100,0 - m<sup>3</sup>=1,43

Auto-Reverse Sofa 3: 102"3/4W x 40"1/2D x 31"7/8H

Sofa, back cushions 45"1/4

Fabric requirement side A m. 11,7

Fabric requirement side B m. 7,8



6109006-right corner 6109013-left corner 6109014

Kg=124,0 - m<sup>3</sup>=1,76

Auto-Reverse Sofa 4: 124"3/8W x 40"1/2D x 31"7/8H

Sofa, back cushions 37"3/8

Fabric requirement side A m. 13,8

Fabric requirement side B m. 8,3

