

Copacabana



Description

Equipped with aluminum and 304 ep stainless steel structure, it has 2 bases (each 65 kg.) and a cover. This umbrella for the swimming area is solid and durable, and can also be used on the bar or restaurant terraces to cover compositions of chairs or lounges.

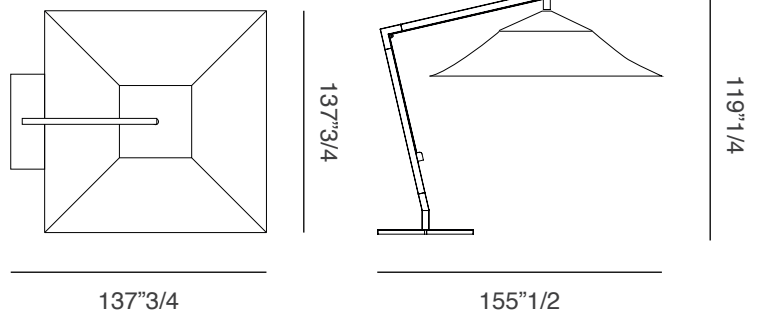
Finishes and materials

Structure: Metal, aluminum and 304 ep stainless steel.

Cover: Polyester.

(For more specifications, please refer to "Finishes & Materials")

Copacabana Umbrella 1:
137³/₄W x 137³/₄D x 119¹/₄H



Copacabana Umbrella 2:
118¹/₈W x 157¹/₂D x 119¹/₄H

