

Barcode

Design: Alessandro Dubini



Description

The Barcode collection is characterized by the size and irregular arrangement of the planks that create a 'barcode' effect. This lounge is suitable for living and relaxation, and enhanced by the soft cushions made of woven weatherproof fabrics. The backrest is adjustable in four positions.

Finishes and materials

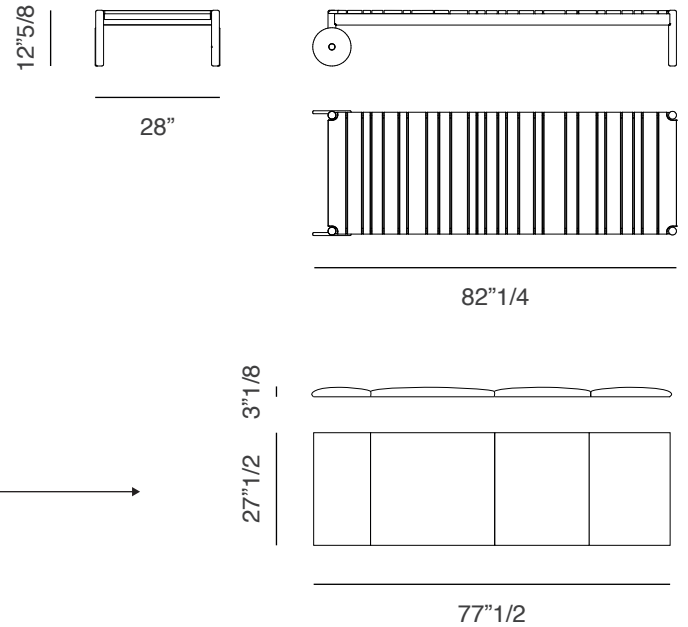
Structure: Wood, teak.

Cover: C.O.M. Fabric, Fabric Cat. B/C/D/E.

(For more specifications, please refer to "Finishes & Materials")

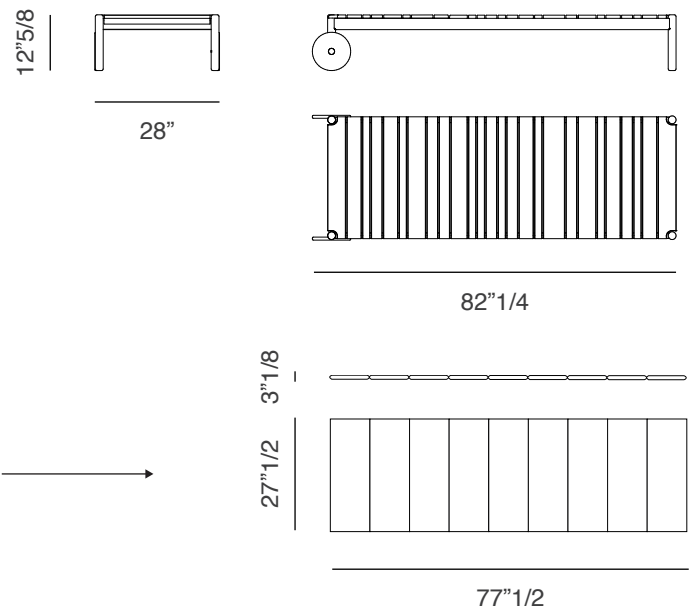
Barcode Lounger With Eco Cushion
 (cover not removable):
 28"W x 82"1/4D x 12"5/8H

Unremovable cover, eco cushion →



Barcode Lounger With Luxury Cushion
 (removable cover):
 28"W x 82"1/4D x 12"5/8H

Removable cover, luxury cushion →



Barcode Lounger Headrest Cushion: 23"6/8W x 5"1/2D x 2"3/4H

