

Babette

Design: Marc Sadler



Description

The Babette extendable table has a powder-coated steel structure and top of different types and finishes: HPL, painted aluminum sheet or oak veneered aluminum. It is a designer table for the outdoors, with clean lines and in various colors and extending up to 141"3/4.

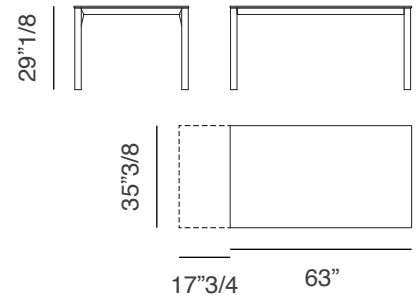
Finishes and materials

Structure: Metal; powder-coated steel.

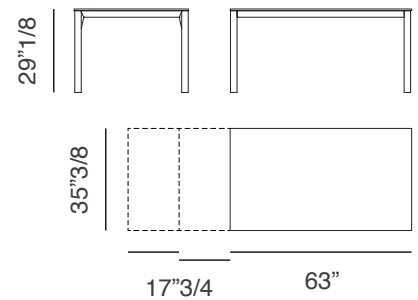
Top: HPL, painted aluminum sheet or oak veneered aluminum.

(For more specifications, please refer to "Finishes & Materials")

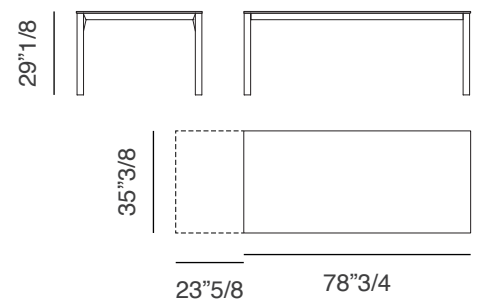
Babette Extendable Table 19601: 63"W x 35"3/8D x 29"1/8H
 One 17"3/4 extension piece, up to 80"5/8



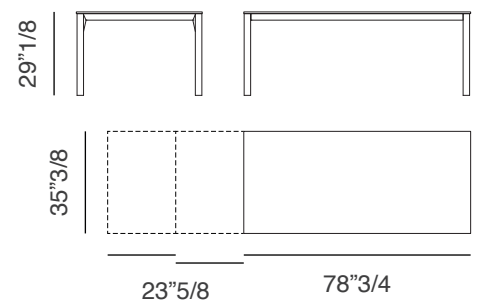
Babette Extendable Table 19602: 63"W x 35"3/8D x 29"1/8H
 Two 17"3/4 extension pieces, up to 98"3/8



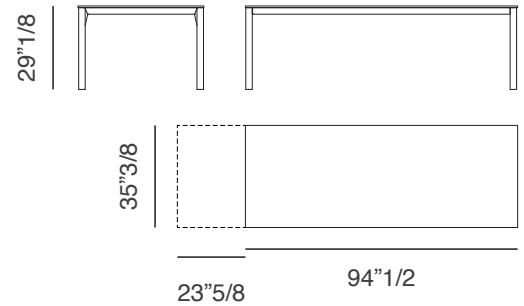
Babette Extendable Table 19611: 78"3/4W x 35"3/8D x 29"1/8H
 One 23"5/8 extension piece, up to 102"3/8



Babette Extendable Table 19612: 78"3/4W x 35"3/8D x 29"1/8H
 Two 23"5/8 extension pieces, up to 126"



Babette Extendable Table 19621: 94"1/2W x 35"3/8D x 29"1/8H
One 17"3/4 extension piece, up to 118"1/8



Babette Extendable Table 19622: 94"1/2W x 35"3/8D x 29"1/8H
Two 17"3/4 extension pieces, up to 141"3/4

