

# Boavista

*Design: Calvi & Brambilla*



## *Description*

The Boavista table has a tubular iron structure that can be powder-coated, chrome-plated or oxidized; available with a multitude of tops in HPL, galvanized sheet metal or flamed brushed oak.

## *Finishes and materials*

**Structure:** Metal; powder-coated, oxidized or chrome-plated iron.

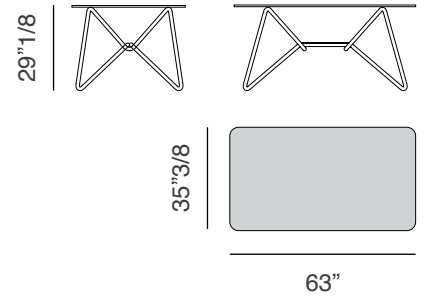
**Top:** HPL, galvanized sheet metal or flamed brushed oak.

*(For more specifications, please refer to "Finishes & Materials")*

1900V - 1900C

---

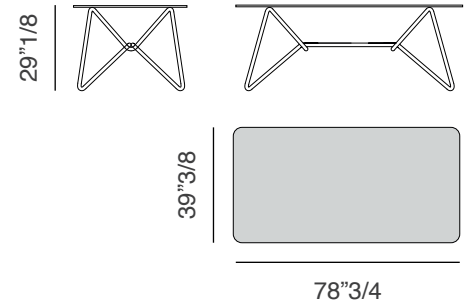
Boavista Fixed Table 1: 63"W x 35"3/8D x 29"1/8H



1901V - 1901C

---

Boavista Fixed Table 2: 78"3/4W x 39"3/8D x 29"1/8H



1902V - 1902C

---

Boavista Fixed Table 3: 94"1/2W x 39"3/8D x 29"1/8H

