

Link

Design: Alain Gilles



Description

Collection of fixed tables with a powder-coated INOX steel structure. The top and legs are available in diverse materials and finishes, from teak wood to HPL. Extremely solid and resistant, these tables are perfect for the outdoors; for use in patios, gardens and terraces, for restaurants or homes.

Finishes and materials

Frame: Metal; powder-coated INOX steel.

Top: HPL, Teak wood or Bush-hammered Ceramic.

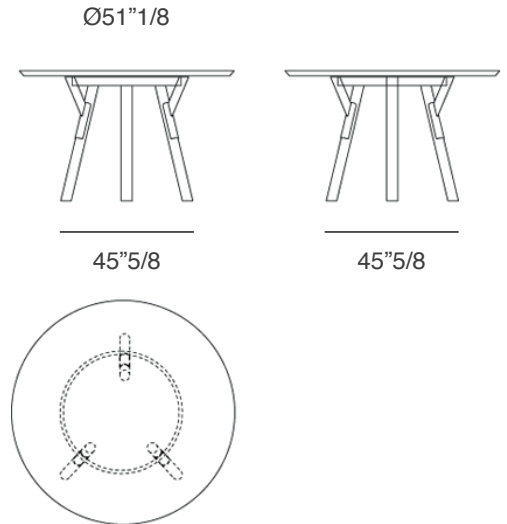
Legs: Painted INOX steel or teak wood.

Brackets: Painted INOX steel.

(For more specifications, please refer to "Finishes & Materials")

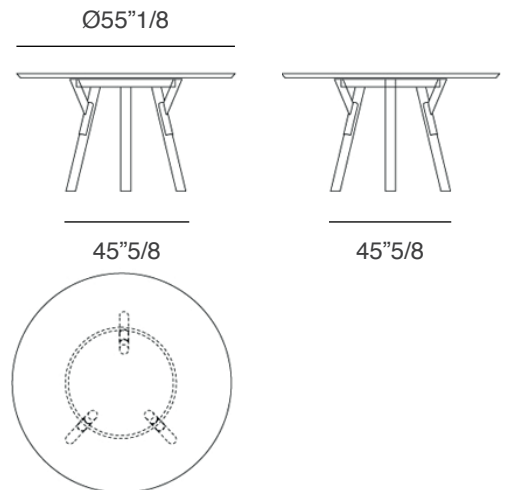
2223

Link Table A) Ø51"1/8 x 28"3/8H + top
 Link Low Table A) Ø51"1/8 x 26" H + top
 Top sp: 1/2"



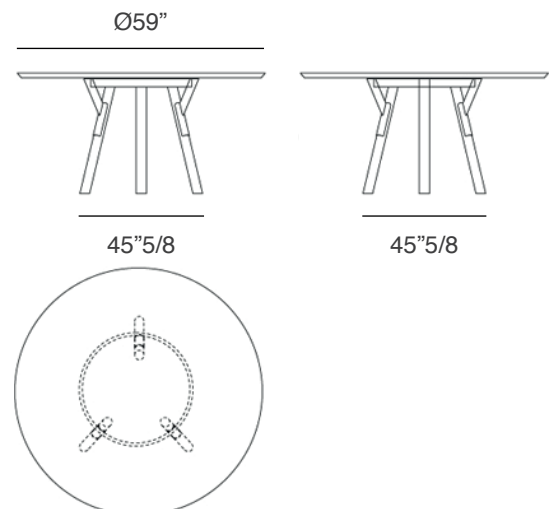
2224

Link Table B) Ø55"1/8 x 28"3/8H + top
 Link Low Table B) Ø55"1/8 x 26" H + top
 Top sp: 1/2"



2225

Link Table C) Ø59" x 28"3/8H + top
 Link Low Table C) Ø59" x 26" H + top
 Top sp: 1/2"



Link Table D) Ø63" x 28"3/8H + top
Link Low Table D) Ø63"x 26" H + top
Top sp: 1/2"

