

Club

Design: Cristian Heimberger

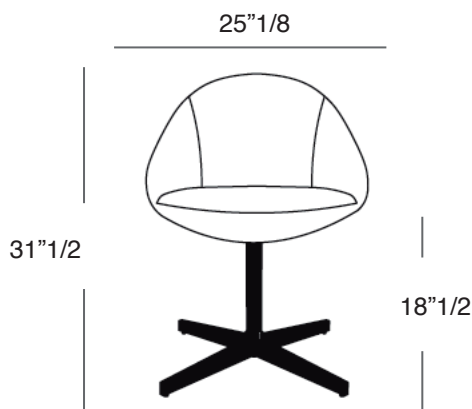


Description

Steel frame covered with injected flame retardant polyurethane foam.
central column and four spoke base in polished aluminium.
360° swivel with memory return.

Dimensions

25"1/8W x 23"1/4D x 31"1/2H - **Seat Height: 18"1/2** - **Armrest Height: 18"1/2** - 29"1/2



*Depth: 23"1/4

Finishes and materials

Shell: Injected polyurethane foam.

Upholstery: Fabric or leather.

Base : Polished aluminium.

(For more specifications, please refer to "Finishes & Materials")