

Purple

Design: Marco Viola Studio



Description

Sectional composed by modular units, with structure in solid beech wood and birch plywood and padded with fire retardant polyurethane foam. Removable fabric or leather coverings as per collection. Made in Italy.

Finishes and materials

Cover: C.O.M. fabric, Fabric (Cat. 1, Cat. 2, Cat. 3, Cat. 4), Eco-leather (Cat. 2, Cat. 3) or Leather (Cat. A, Cat. B, Cat. C).

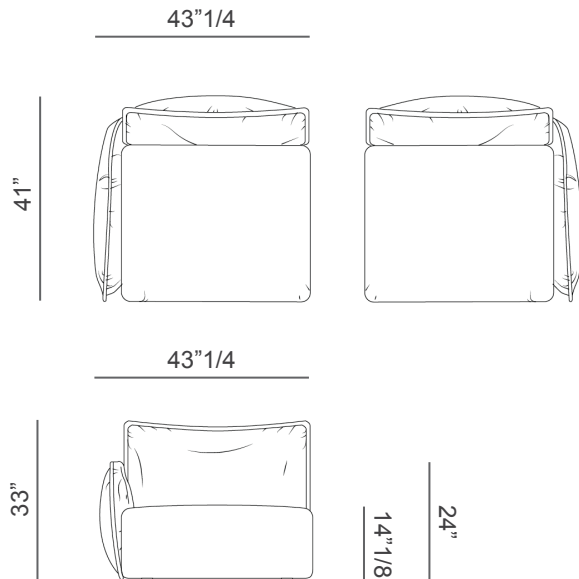
Decorative cushions (optional): 19"5/8 x 13"3/4, 19"5/8 x 19"5/8, 27"1/2 x 19"5/8, 27"1/2 x 27"1/2.

(For more specifications, please refer to "Finishes & Materials")

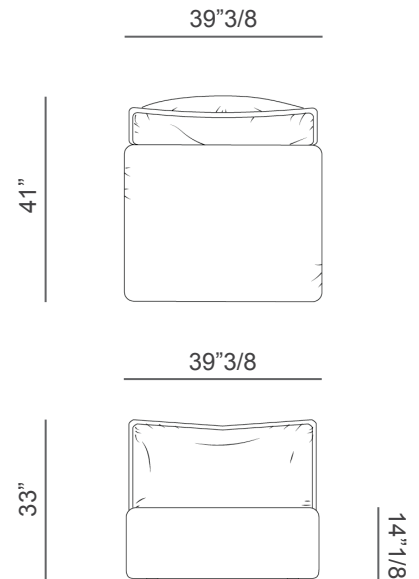
Purple

Dimensions

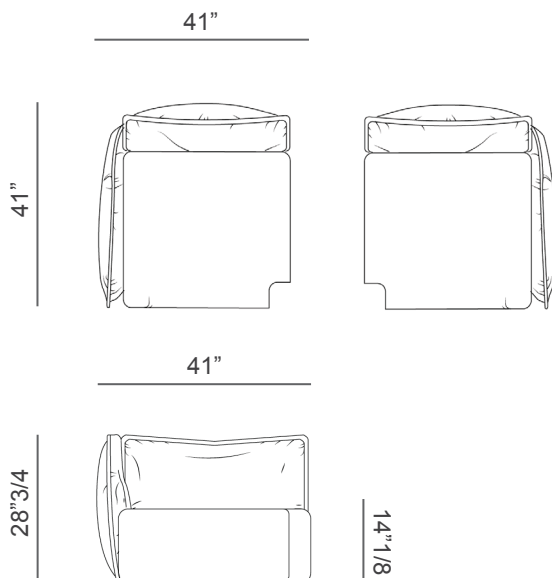
Right or left side unit: 43"1/4W x 41"D x 33"H
 Seat Height: 14"1/8 - Armrest Height: 24"



Central unit: 39"3/8W x 41"D x 33"H
 Seat Height: 14"1/8



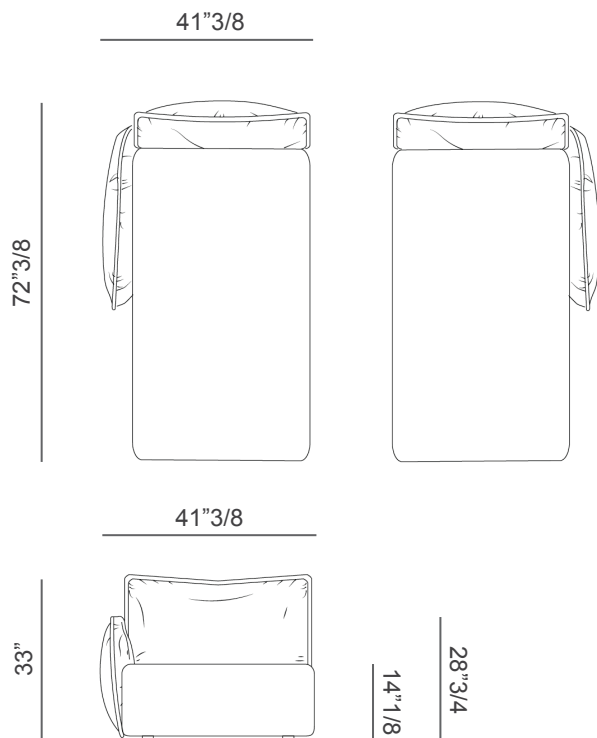
Right and left corner unit: 41"W x 41"D x 28"3/4H
 Seat Height: 14"1/8



(For more specifications, please refer to "Finishes & Materials")

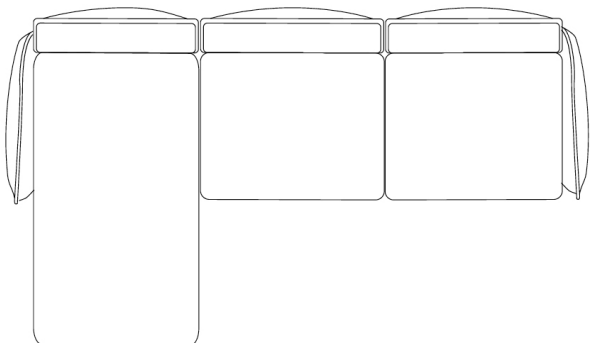
Purple

Right or left chaise lounge unit: 41"3/8W x 72"3/8D x 33"H
Seat Height: 14"1/8 - Armrest Height: 28"3/4



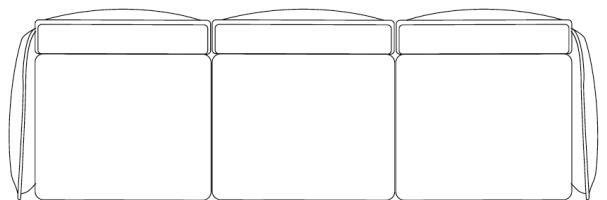
Composition 1:

Left chaise lounge unit + central unit + right side unit.



Composition 2:

Left side unit + central unit + right side unit.



(For more specifications, please refer to "Finishes & Materials")